



# Contactors

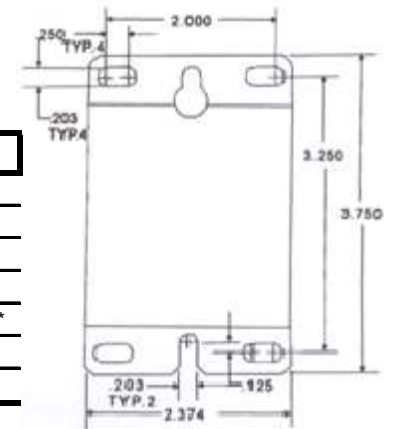
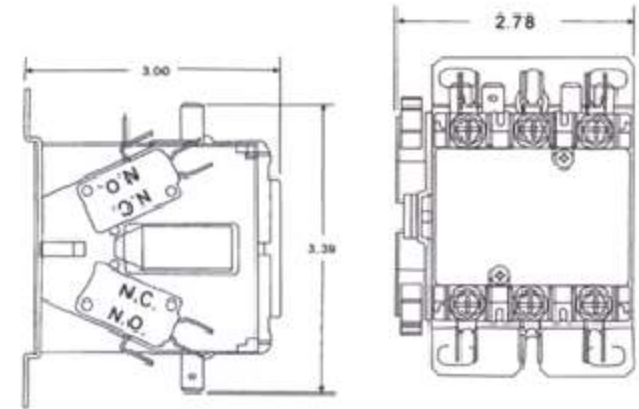


# NDL INDUSTRIES INC.

The high quality that you require at competitive prices.

## CN-PBC 20 - 25 - 30 - 40 FLA 3Pole

Part No.	Poles	Full Load Amps	Coil Voltage	Line Voltage	Locked Rotor Amps	Resistive Amps Rating	Maximum Horsepower			Unit Weight (approx.)
							Voltage	Single Phase	Three Phase	
CN-PBC203	3	20	24V	240/277	120	30	110/120	1.5		1 lb. 0.45 kg
			120V	480	100	30	200/240	3	7.5	
			208/240V	600	80	30	480/600		7.5	
CN-PBC253	3	25	24V	240/277	150	35	110/120	2		1 lb. 0.45 kg
			120V	480	125	35	200/208	7.5		
			208/240V	600	100	35	240/277	5	10	
CN-PBC303	3	30	24V	240/277	180	40	480	25		1 lb. 0.45 kg
			120V	480	150	40	200/208	10		
			208/240V	600	120	40	240/277	5	10	
CN-PBC403	3	40	24V	240/277	240	50	600	20		1 lb. 0.45 kg
			120V	480	200	50	110/120	3		
			208/240V	600	160	50	200/208	10		



COIL TECHNICAL DATA 50/60hz	3 POLE CONTACTORS		
Nominal Coil Voltage	24	120	208/240
Maximum Pickup Volts	18	88	177
Drop-Out Volts Range	6-15	20-70	40-140
Nominal Inrush VA@50Hz	65	65	65
Nominal Inrush VA@60Hz	60	60	60
Nominal Sealed VA@50Hz	7.5	7.5	7.5
Nominal Sealed VA@60Hz	6	6	6
Nominal DC Resistance-Ohms	6.6	165	660
Maximum Coil Voltage	30	132	264

OTHER SPECIFICATIONS	20-30 FLA	40 FLA
Line and Load Terminals	#10-32Screw*	BoxLugs*
Wire Size Awg Min-Max	16-8**	14-4Cu/Al
Tightening Torque(recommended)	25in.lbs	40 in.lbs
Quick Connects: Power Terminals	Dual.250 QC	Dual.250 QC
Coil Terminals	Dual .250 QC(2)***	Dual .250QC(2)***
ARC Covers	Optional	Standard
Insulation System	130°C Class B	130°C Class B

\*stranding must be split for #8 wire

\*\* (1)#6-32 screw and (1) .250QC are optional.

\*\*\*Permissible Ambient Temperature: -40°C/65°C -40°F/150°F

## NDL INDUSTRIES INC.

266 S.W. Marine Drive, Vancouver, BC Canada V5X 2R5

Toll Free 1 866 635 6888 Tel. (604) 736 7470 Fax (604) 736 0164

www.ndlinc.com info@ndlinc.com