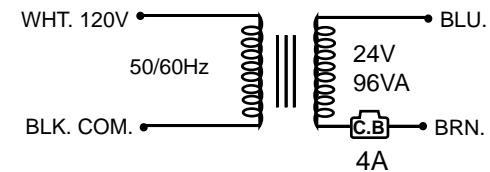
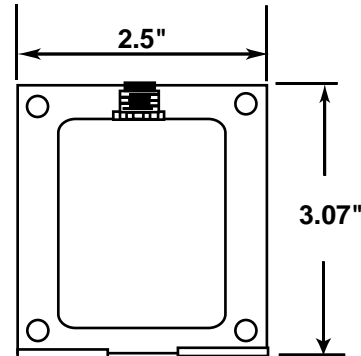
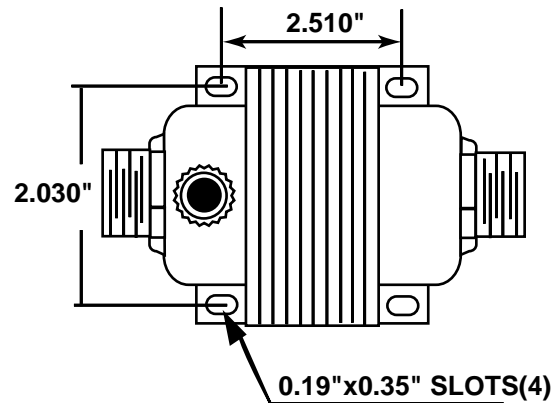
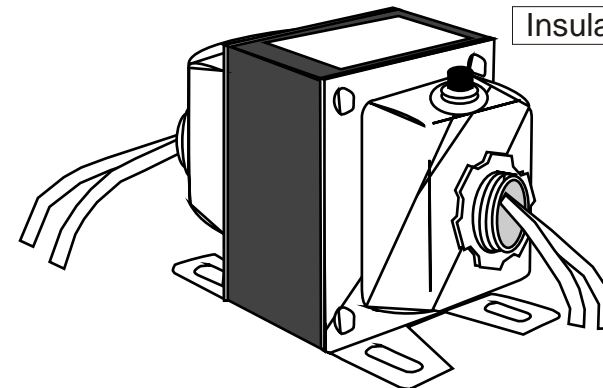
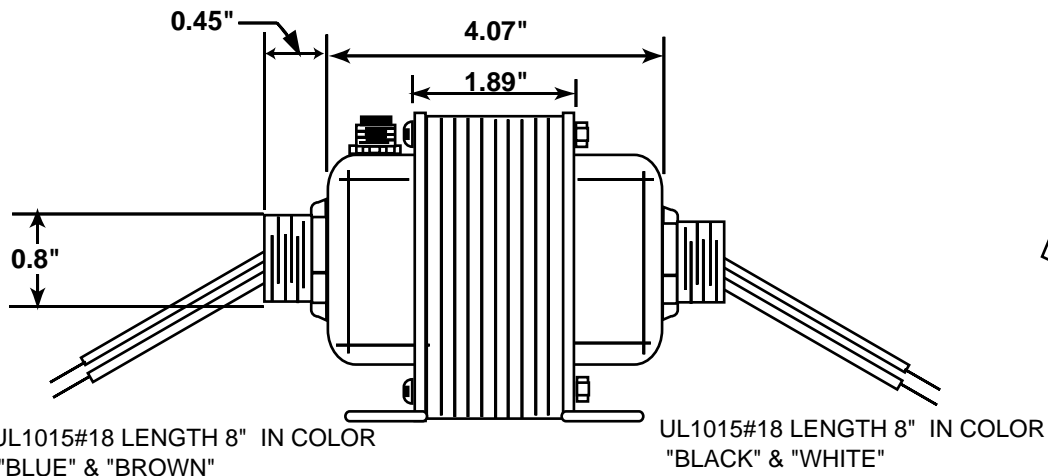


Transformer

10011DHCB



Frequency	50/60Hz
Power Rating	96VA
Primary Voltage	120V
Secondary Voltage	24V
Insulation System	Class B



UNIT: inch ± 0.04

NDL INDUSTRIES INC.

266 S.W. Marine Drive, Vancouver, BC Canada V5X 2R5

Toll Free 1 866 635 6888  Tel. (604) 736 7470  Fax (604) 736 0164

www.ndlinc.com