

NDL
FITTING YOUR NEEDS
Transformer

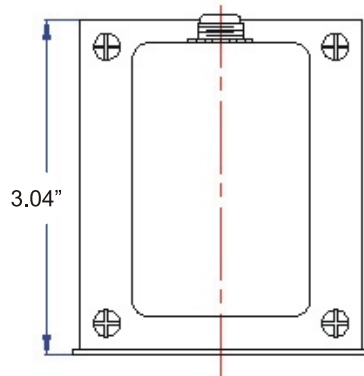
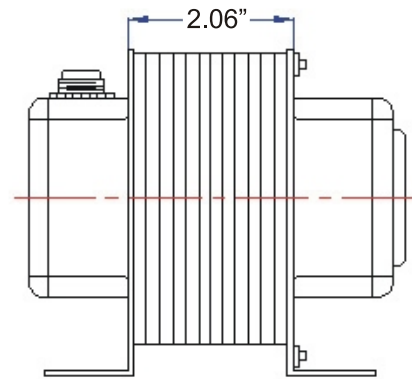
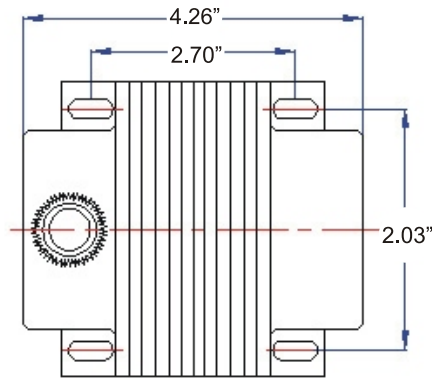


NDL INDUSTRIES INC.

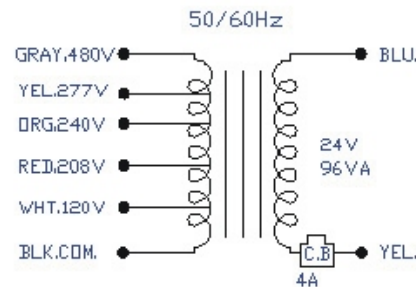
The high quality that you require at competitive prices.

10051MWCB

Double Hub With Circuit Breaker



Frequency	50/60HZ
Power Rating	96VA
Primary Voltage	120/208/240/480
Secondary Voltage	24
Insulation System	Class B



NDL INDUSTRIES INC.

266 S.W. Marine Drive, Vancouver, BC Canada V5X 2R5
Toll Free 1 866 635 6888 Tel. (604) 736 7470 Fax (604) 736 0164

www.ndlinc.com