



FITTING YOUR NEEDS

Transformer

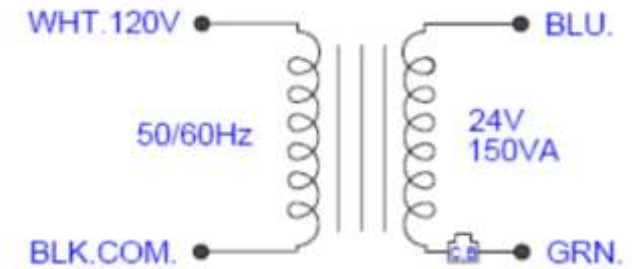
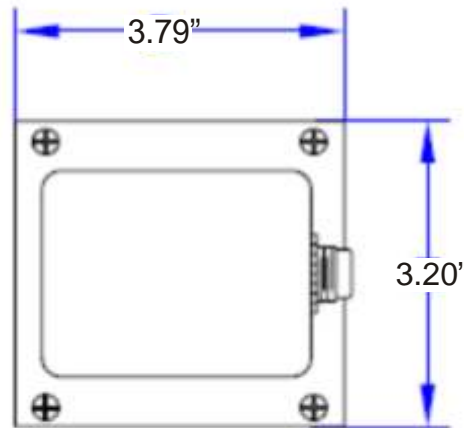
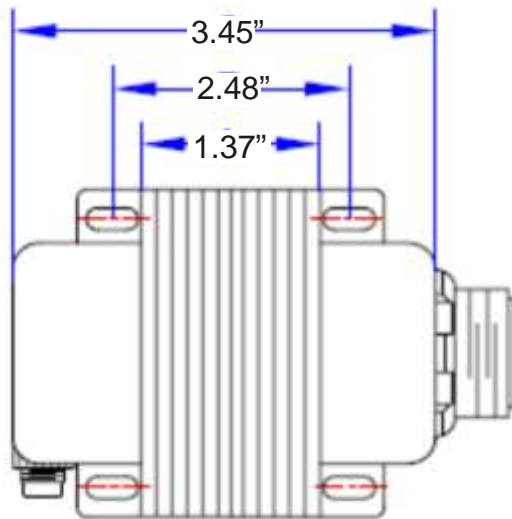


15001MWL

with Circuit Breaker

NDL INDUSTRIES INC.

The high quality that you require at competitive prices.



Frequency	50/60HZ
Power Rating	150V
Primary Voltage	120V
Secondary Voltage	24
Insulation System	Class B

Unit: Inch = +/- 0.04

NDL INDUSTRIES INC.

266 S.W. Marine Drive, Vancouver, BC Canada V5X 2R5

Toll Free 1 866 635 6888 Tel. (604) 736 7470 Fax (604) 736 0164

www.ndlinc.com