



FITTING YOUR NEEDS

# Transformer

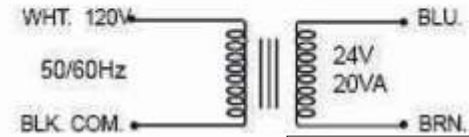
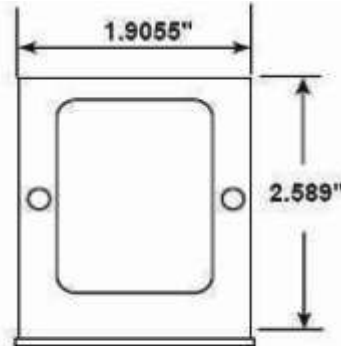
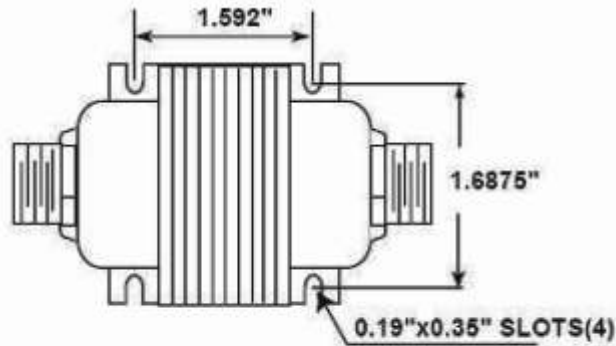


## 2011MW

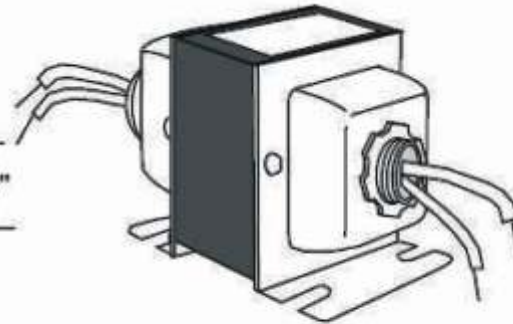
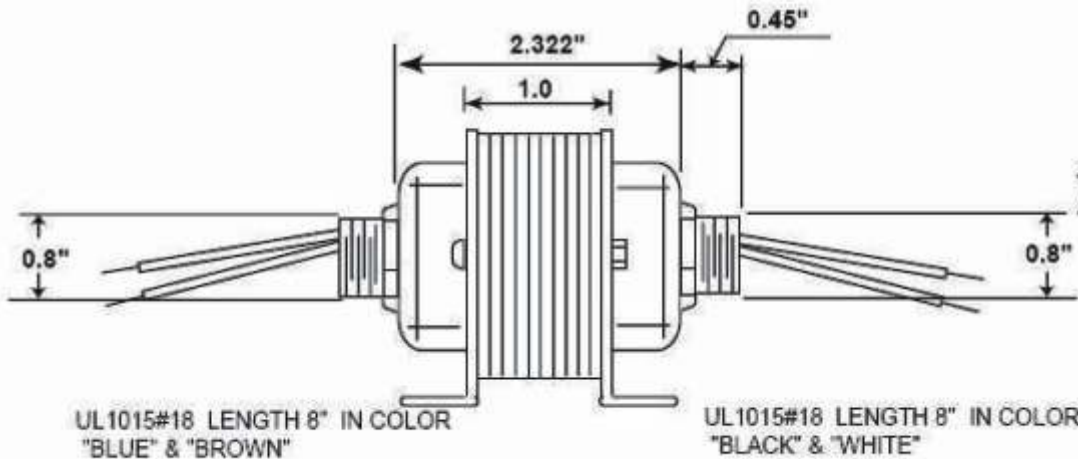
Dual Hub

# NDL INDUSTRIES INC.

The high quality that you require at competitive prices.



Frequency	50/60HZ
Power Rating	20VA
Primary Voltage	120
Secondary Voltage	24
Insulation System	Class B



UNIT: inch ± 0.04

NDL INDUSTRIES INC.

266 S.W. Marine Drive, Vancouver, BC Canada V5X 2R5  
 Toll Free 1 866 635 6888 Tel. (604) 736 7470 Fax (604) 736 0164

[www.ndlinc.com](http://www.ndlinc.com)