



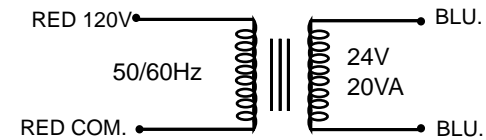
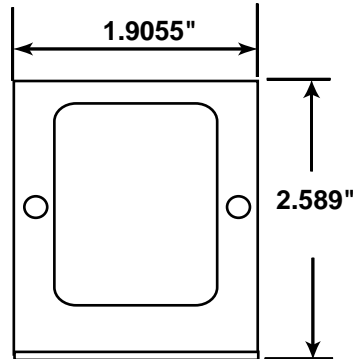
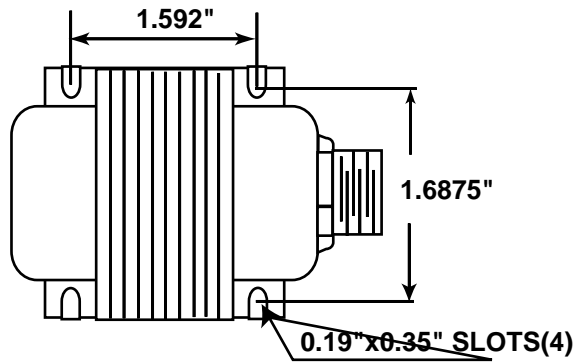
Transformer



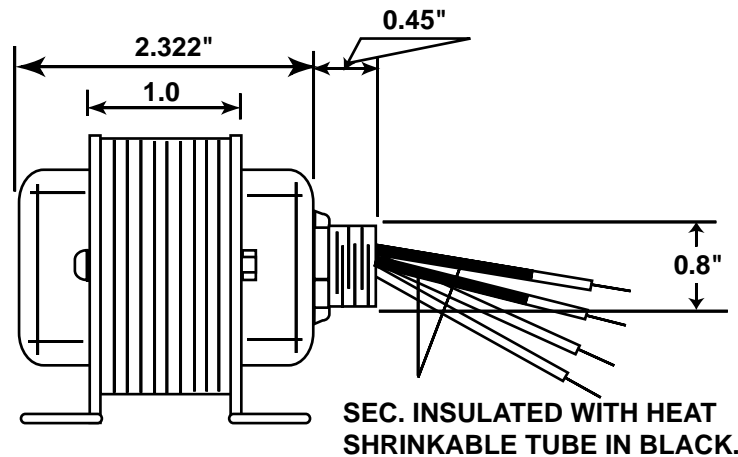
2011MWSH

NDL INDUSTRIES INC.

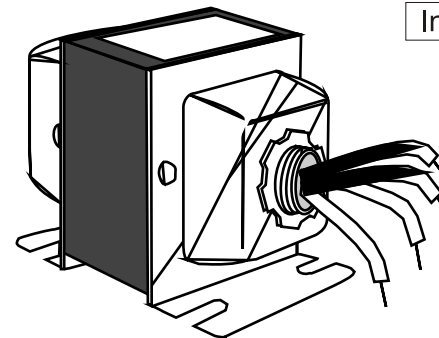
The high quality that you require at competitive prices.



| | |
|-------------------|---------|
| Frequency | 50/60HZ |
| Power Rating | 20 VA |
| Primary Voltage | 120V |
| Secondary Voltage | 24 V |
| Insulation System | Class B |



UL1015#18 LENGTH 8" IN COLOR
"RED"x2PCS & "BLUE"x2PCS



UNIT: inch + 0.04

NDL INDUSTRIES INC.

266 S.W. Marine Drive, Vancouver, BC Canada V5X 2R5

Toll Free 1 866 635 6888 Tel. (604) 736 7470 Fax (604) 736 0164

www.ndlinc.com