

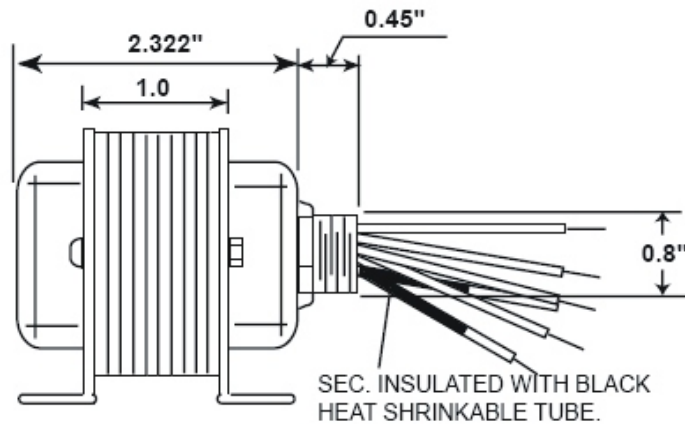
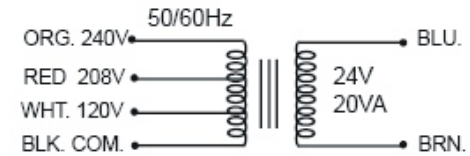
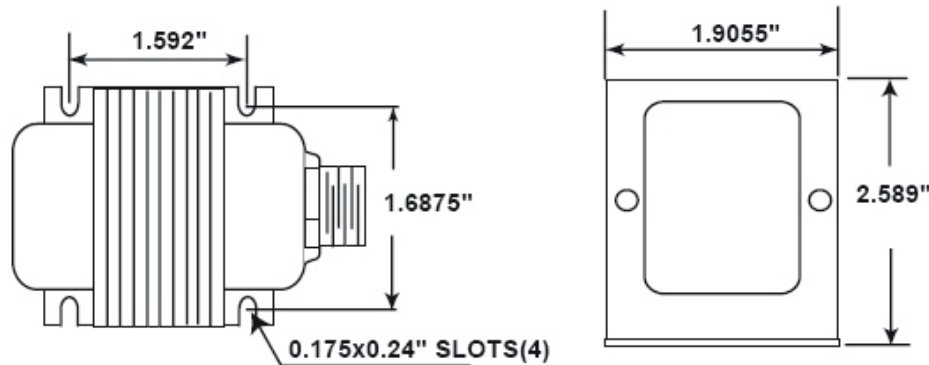
NDL
FITTING YOUR NEEDS
Transformer



2031MWSH

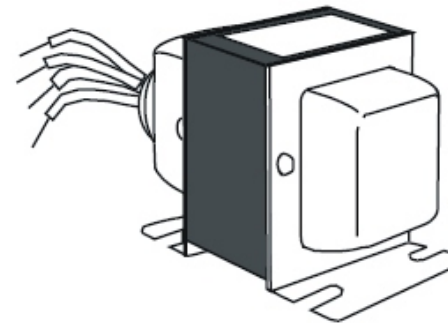
NDL INDUSTRIES INC.

The high quality that you require at competitive prices.



UL1015#18 LENGTH 8" IN COLOR
"BLACK", "WHITE", "RED", "ORANGE", "BLUE" & " BROWN"

Frequency	50/60HZ
Power Rating	20VA
Primary Voltage	120/208/240
Secondary Voltage	24
Insulation System	Class B



UNIT: inch \pm 0.04

NDL INDUSTRIES INC.

266 S.W. Marine Drive, Vancouver, BC Canada V5X 2R5
Toll Free 1 866 635 6888 Tel. (604) 736 7470 Fax (604) 736 0164

www.ndlinc.com