

NDL
FITTING YOUR NEEDS
Transformer

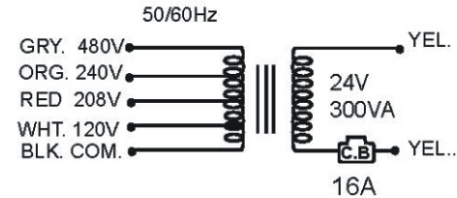
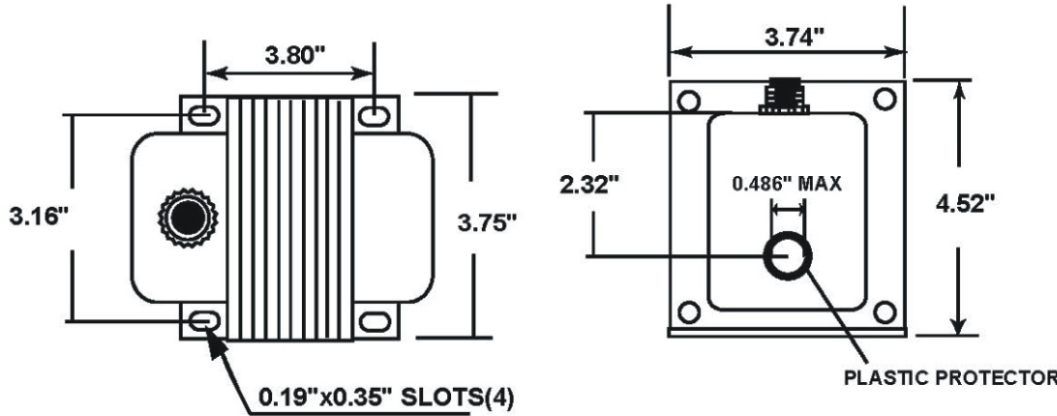


30041MWL

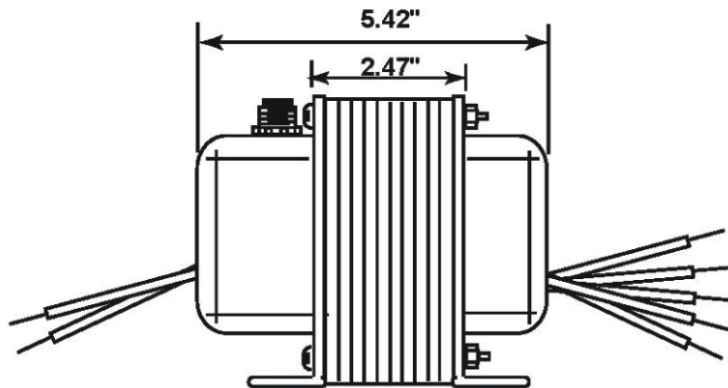
With Circuit Breaker

NDL INDUSTRIES INC.

The high quality that you require at competitive prices.

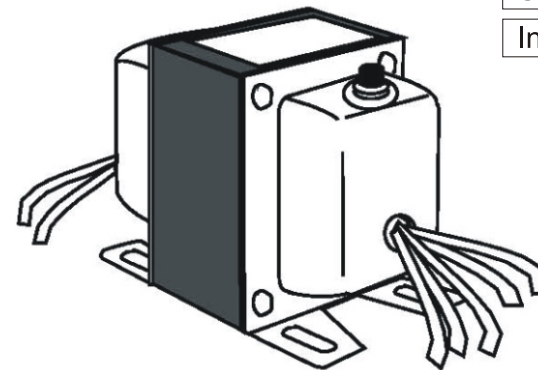


Frequency	50/60HZ
Power Rating	300VA
Primary Voltage	120/208/240/480
Secondary Voltage	24
Insulation System	Class B



UL1015#14 LENGTH 10" IN COLOR "YELLOW" & "YELLOW"

UL1015#18 LENGTH 8" IN COLOR "BLACK", "WHITE", "RED", "ORANGE" & "GREY"



UNIT: inch \pm 0.04

NDL INDUSTRIES INC.

266 S.W. Marine Drive, Vancouver, BC Canada V5X 2R5
Toll Free 1 866 635 6888 Tel. (604) 736 7470 Fax (604) 736 0164

www.ndlinc.com