



FITTING YOUR NEEDS

# Transformer

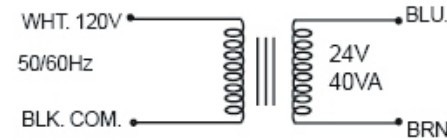
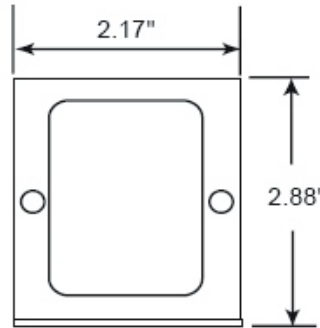
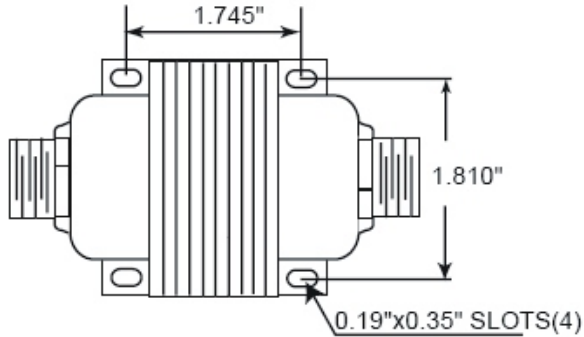


## 4011MWDH

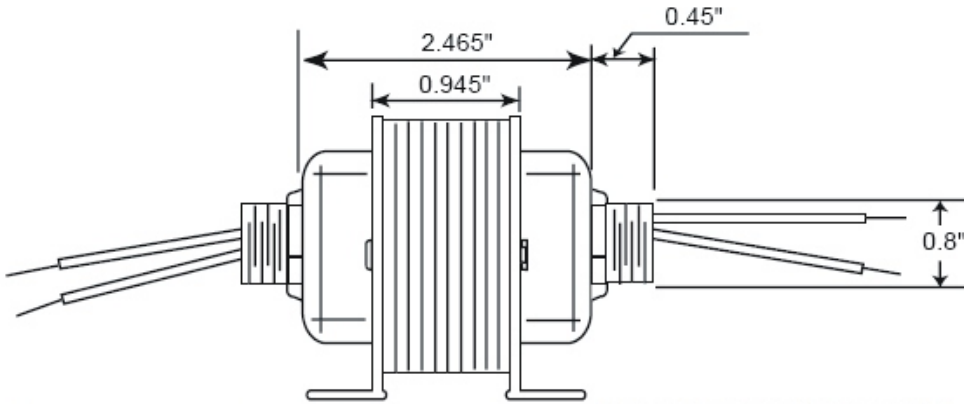
Dual Hub

# NDL INDUSTRIES INC.

The high quality that you require at competitive prices.

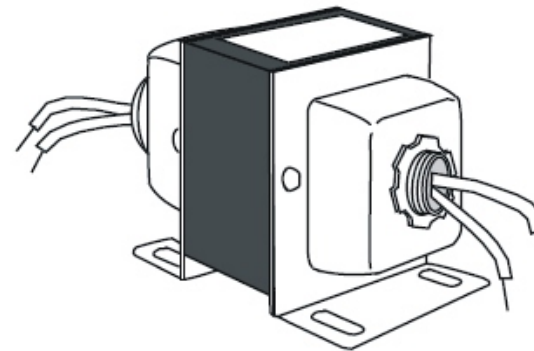


Frequency	50/60HZ
Power Rating	40VA
Primary Voltage	120
Secondary Voltage	24
Insulation System	Class B



UL1015#18 LENGTH 8" IN COLOR "BLUE" & "BROWN"

UL1015#18 LENGTH 8" IN COLOR "BLACK" & "WHITE"



UNIT: inch ±0.04

## NDL INDUSTRIES INC.

266 S.W. Marine Drive, Vancouver, BC Canada V5X 2R5  
Toll Free 1 866 635 6888 Tel. (604) 736 7470 Fax (604) 736 0164

[www.ndlinc.com](http://www.ndlinc.com)