

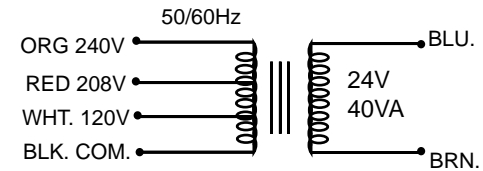
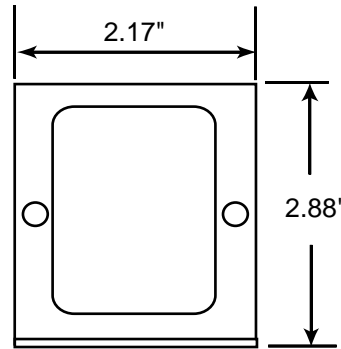
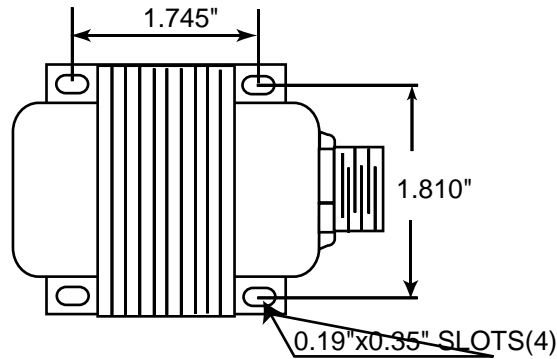


# NDL INDUSTRIES INC.

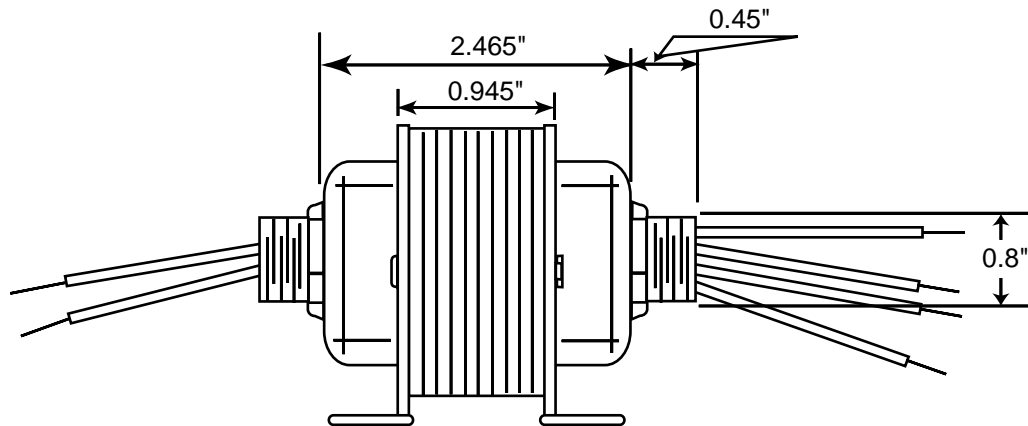
The high quality that you require at competitive prices.

## Transformer

## 4031MWDH

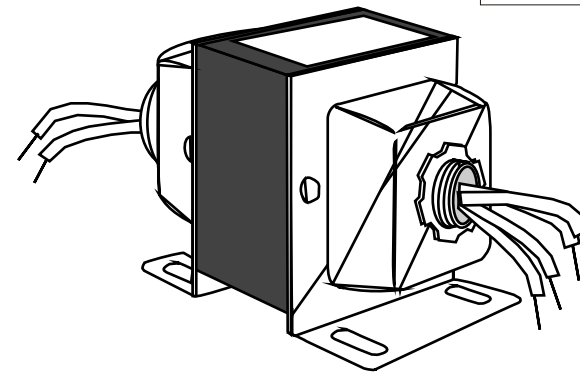


Frequency	50/60HZ
Power Rating	40 VA
Primary Voltage	120/208/240
Secondary Voltage	24 V
Insulation System	Class B



UL1015#18 LENGTH 8" IN COLOR  
"BLUE" & "BROWN"

UL1015#18 LENGTH 8" IN COLOR  
"BLACK", "WHITE", "RED" & "ORANGE"



UNIT: inch  $\pm 0.04$

### NDL INDUSTRIES INC.

266 S.W. Marine Drive, Vancouver, BC Canada V5X 2R5

Toll Free 1 866 635 6888 Tel. (604) 736 7470 Fax (604) 736 0164

[www.ndlinc.com](http://www.ndlinc.com)