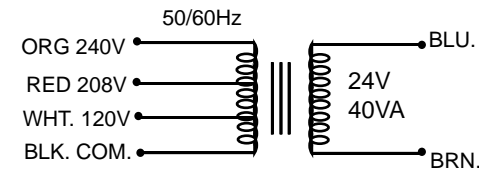
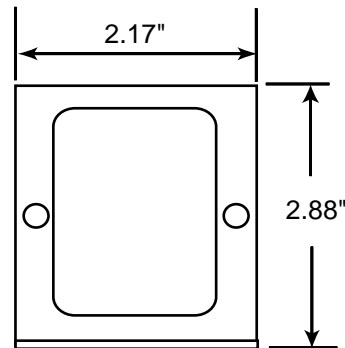
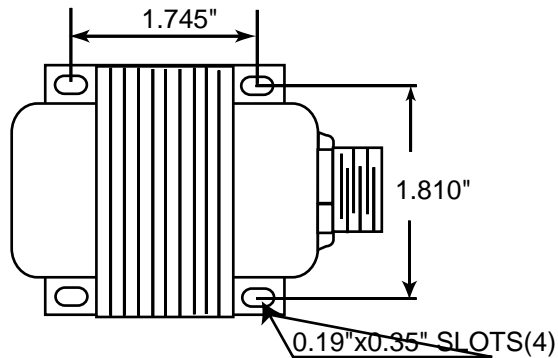
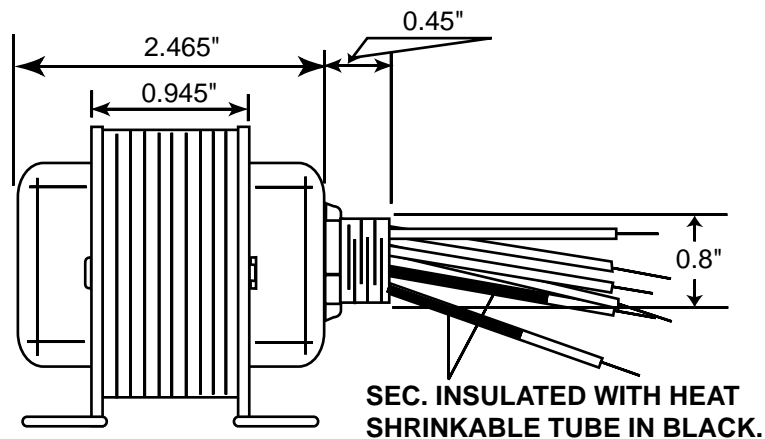


Transformer

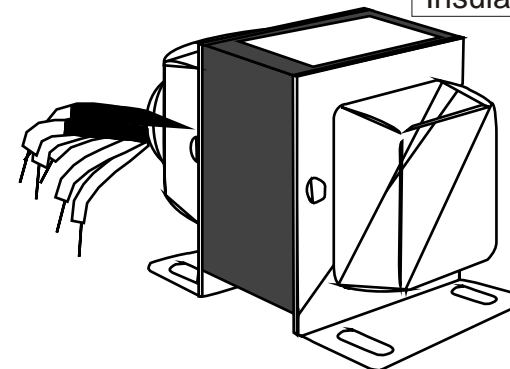
4031MWSH



Frequency	50/60Hz
Power Rating	40VA
Primary Voltage	120/208/240
Secondary Voltage	24VA
Insulation System	Class B



UL1015#18 LENGTH 8" IN COLOR
"BLACK", "WHITE", "RED", "ORANGE", "RED" & "ORANGE"



UNIT: inch ± 0.04

NDL INDUSTRIES INC.

266 S.W. Marine Drive, Vancouver, BC Canada V5X 2R5

Toll Free 1 866 635 6888  Tel. (604) 736 7470  Fax (604) 736 0164

www.ndlinc.com