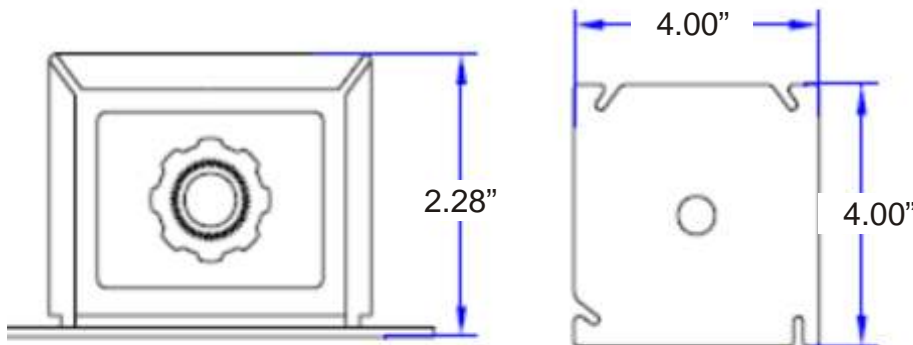
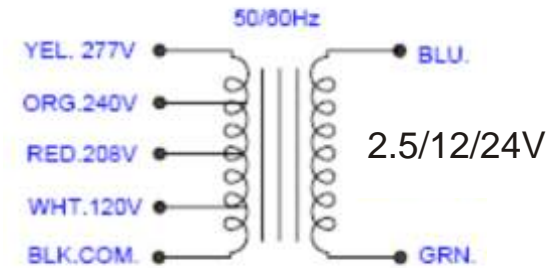
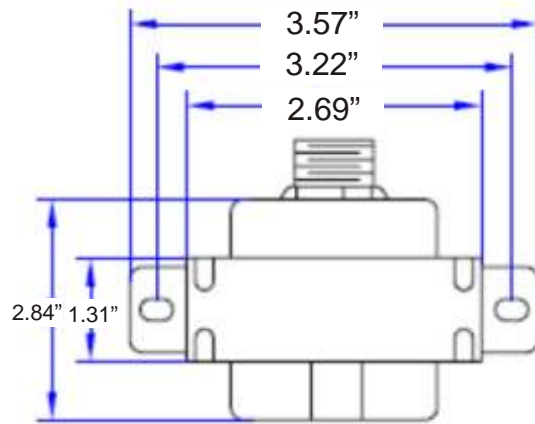


NDL
FITTING YOUR NEEDS
Transformer



50313MW-XX
Dual Hub

NDL INDUSTRIES INC.
The high quality that you require at competitive prices.



Frequency	50/60HZ
Power Rating	50V
Primary Voltage	120/208/240V
Secondary Voltage	2.5/12/24V
Insulation System	Class B

Unit: Inch +/- 0.04