

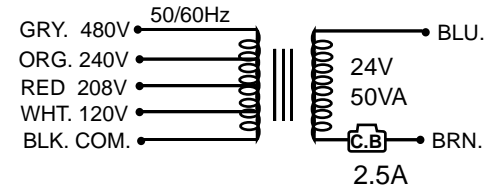
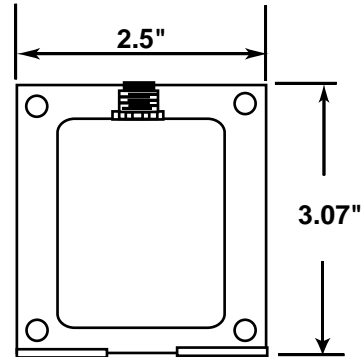
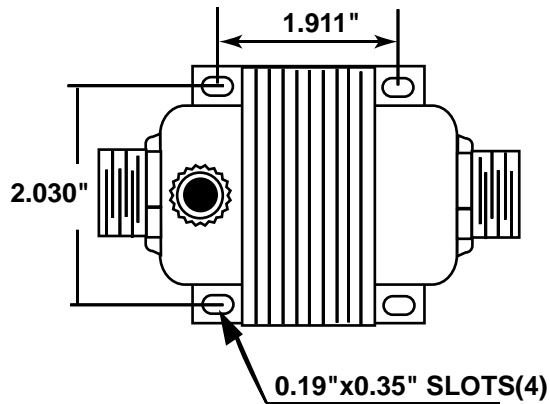


NDL INDUSTRIES INC.

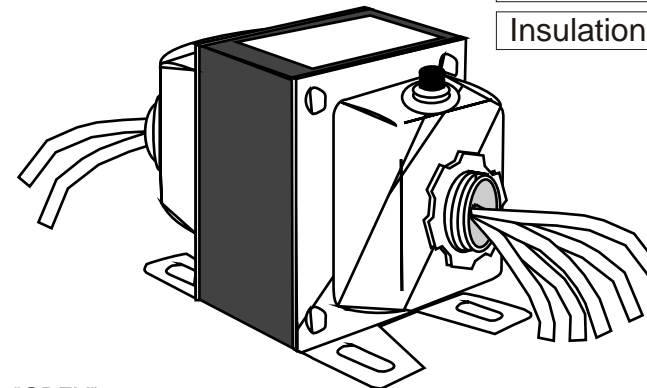
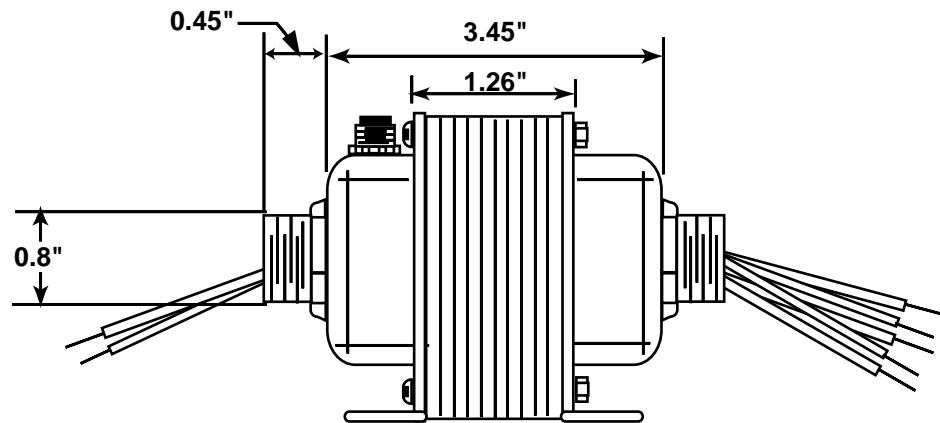
The high quality that you require at competitive prices.

Transformer

5041MWCB-D



Frequency	50/60Hz
Power Rating	50VA
Primary Voltage	120/208/240/480V
Secondary Voltage	24V
Insulation System	Class B



UL1015#18 LENGTH 8" IN COLOR
"BLUE" & "BROWN"

UL1015#18 LENGTH 8" IN COLOR
"BLACK", "WHITE", "RED", "ORAGNE" & "GREY"

UNIT: inch ± 0.04

NDL INDUSTRIES INC.

266 S.W. Marine Drive, Vancouver, BC Canada V5X 2R5

Toll Free 1 866 635 6888 NDL Tel. (604) 736 7470 NDL Fax (604) 736 0164

www.ndlinc.com