

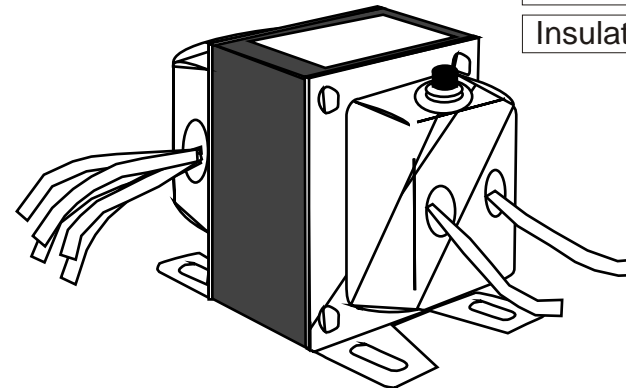
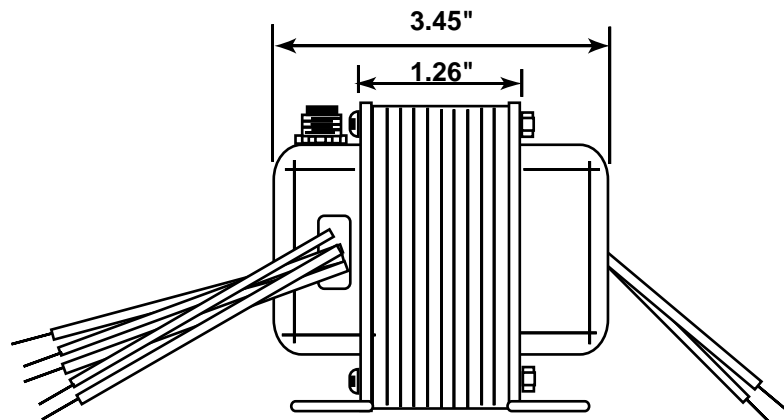
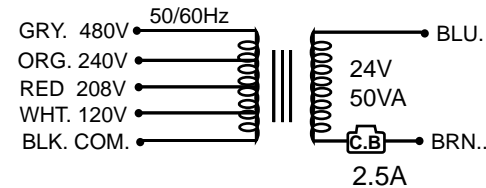
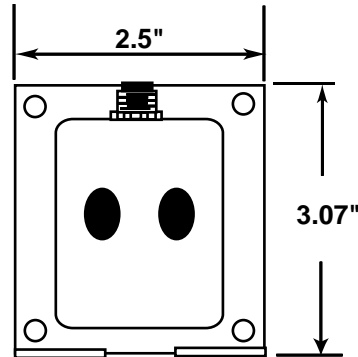
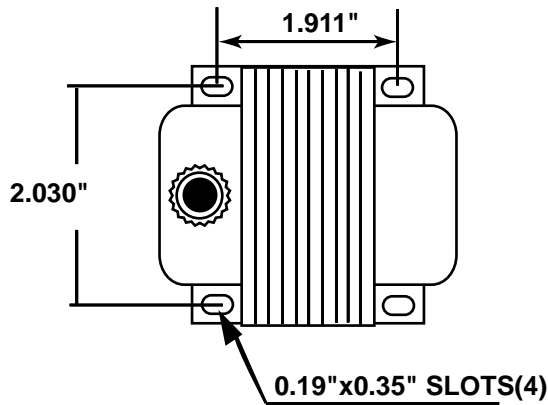


# NDL INDUSTRIES INC.

The high quality that you require at competitive prices.

## Transformer

## 5041MWCB



Frequency	50/60Hz
Power Rating	50VA
Primary Voltage	120/208/240/480V
Secondary Voltage	24V
Insulation System	Class B

UL1015#18 LENGTH 8" IN COLOR  
"BLACK", "WHITE", "RED", "YELLOW" & "GREY"

UNIT: inch  $\pm$  0.04

NDL INDUSTRIES INC.

266 S.W. Marine Drive, Vancouver, BC Canada V5X 2R5

Toll Free 1 866 635 6888 Tel. (604) 736 7470 Fax (604) 736 0164

[www.ndlinc.com](http://www.ndlinc.com)