



**NDL**  
FITTING YOUR NEEDS  
**Transformer**

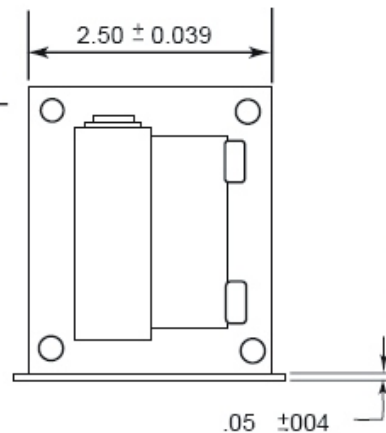
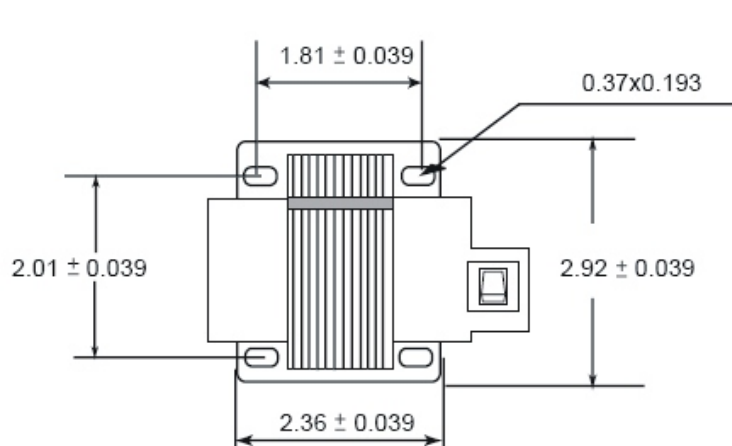
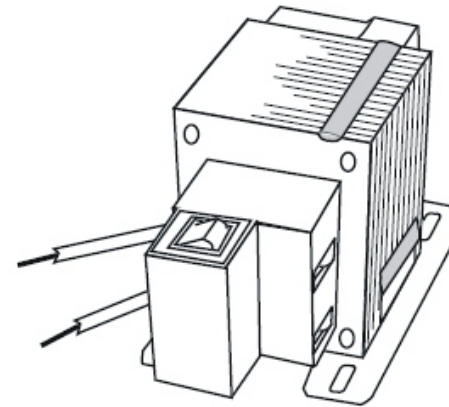
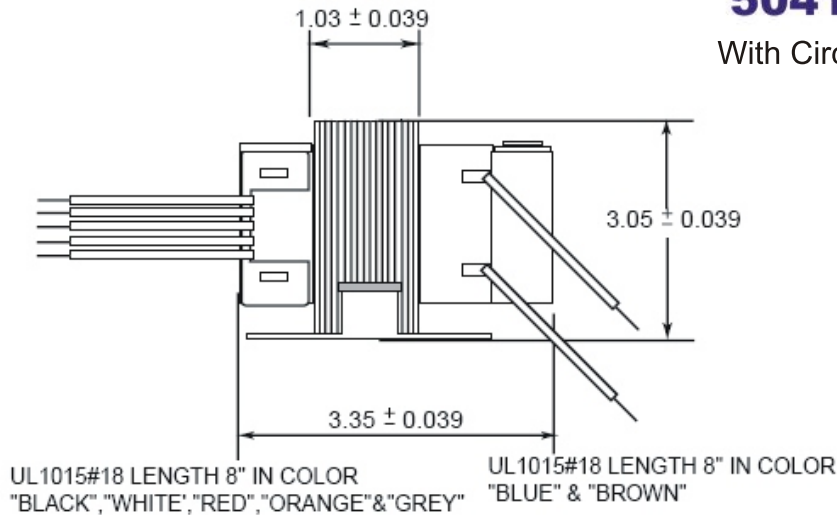


# NDL INDUSTRIES INC.

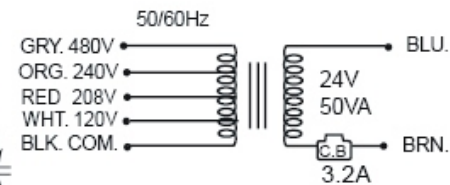
The high quality that you require at competitive prices.

## 5041OFC-3

With Circuit Breaker



Frequency	50/60HZ
Power Rating	50VA
Primary Voltage	120/208/240
Secondary Voltage	24
Insulation System	Class B



UNIT: inch

### NDL INDUSTRIES INC.

266 S.W. Marine Drive, Vancouver, BC Canada V5X 2R5  
Toll Free 1 866 635 6888 Tel. (604) 736 7470 Fax (604) 736 0164

[www.ndlinc.com](http://www.ndlinc.com)