



NDL
FITTING YOUR NEEDS
Transformer

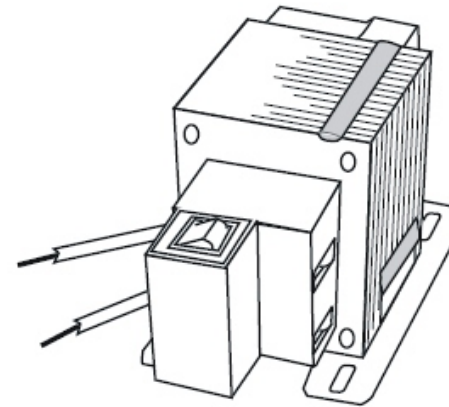
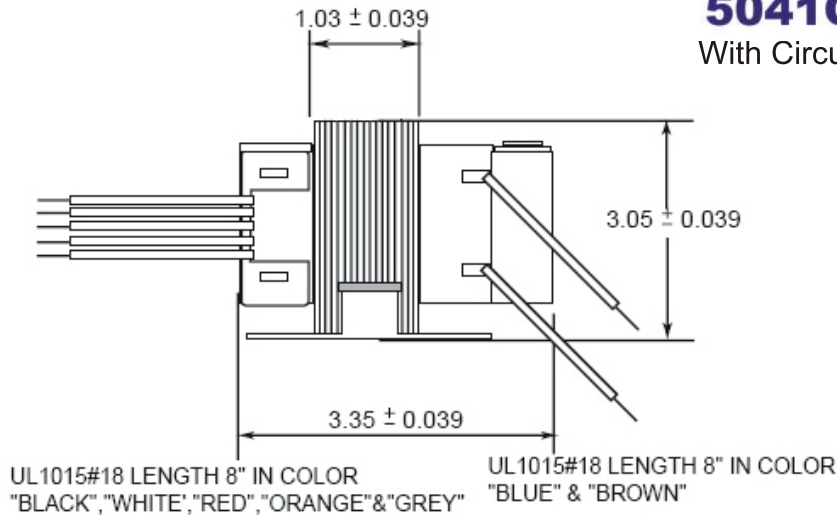
c **UL** [®] **US**



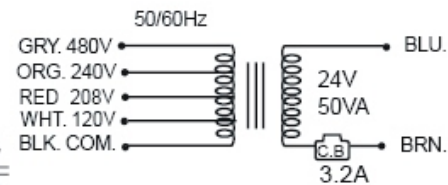
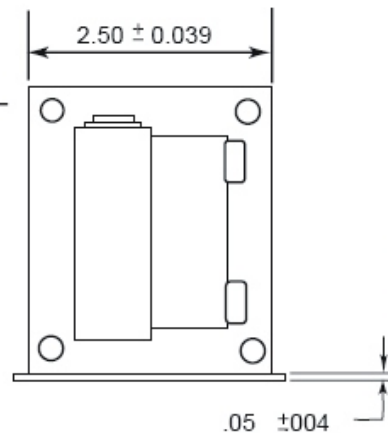
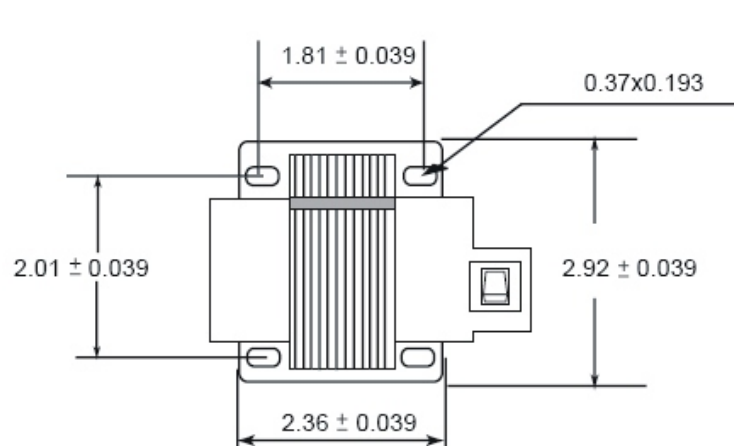
NDL INDUSTRIES INC.

The high quality that you require at competitive prices.

5041OFC-4
With Circuit Breaker





Frequency	50/60HZ
Power Rating	50VA
Primary Voltage	120/208/240/480
Secondary Voltage	24
Insulation System	Class B



UNIT: inch

NDL INDUSTRIES INC.

266 S.W. Marine Drive, Vancouver, BC Canada V5X 2R5
Toll Free 1 866 635 6888  Tel. (604) 736 7470  Fax (604) 736 0164

www.ndlinc.com