



NDL
FITTING YOUR NEEDS
Transformer

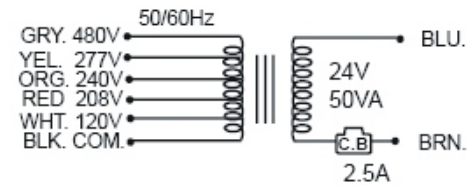
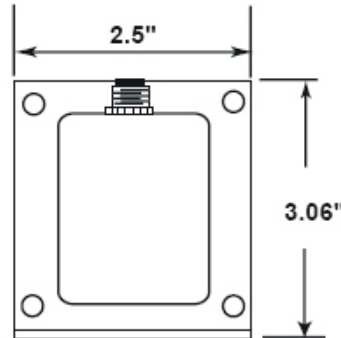
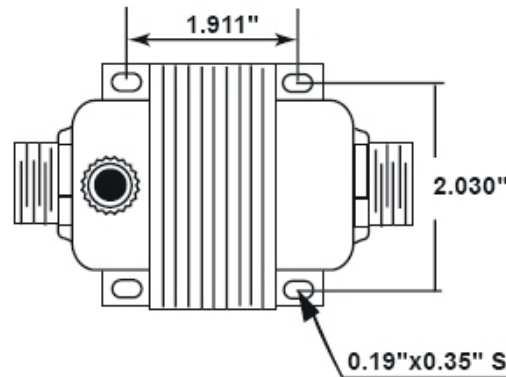


5051MWCB-Y

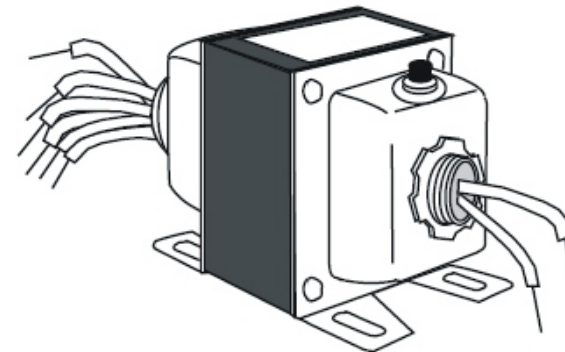
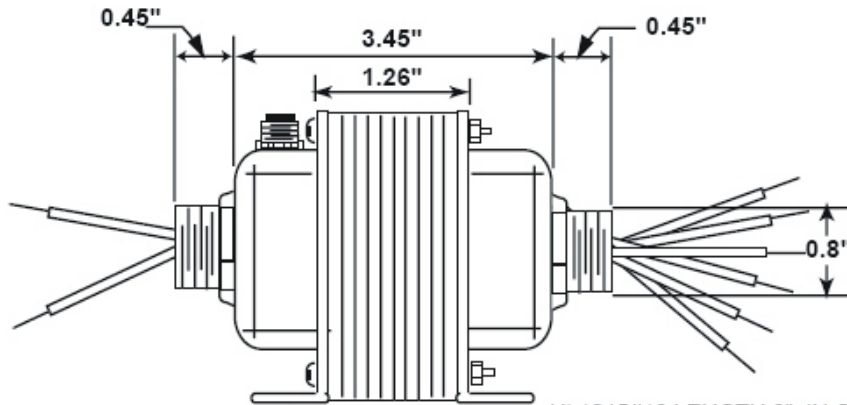
Double Hub With Circuit Breaker

NDL INDUSTRIES INC.

The high quality that you require at competitive prices.



Frequency	50/60HZ
Power Rating	50VA
Primary Voltage	120/208/240/277/480
Secondary Voltage	24
Insulation System	Class B



UL1015#18 LENGTH 8" IN COLOR
"BLUE" & "BROWN"

UL1015#18 LENGTH 8" IN COLOR
"BLACK", "WHITE", "RED", "ORANGE"
"YELLOW" & "GRAY"

UNIT: inch \pm 0.04

NDL INDUSTRIES INC.

266 S.W. Marine Drive, Vancouver, BC Canada V5X 2R5
Toll Free 1 866 635 6888 Tel. (604) 736 7470 Fax (604) 736 0164

www.ndlinc.com