

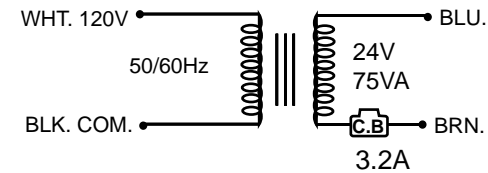
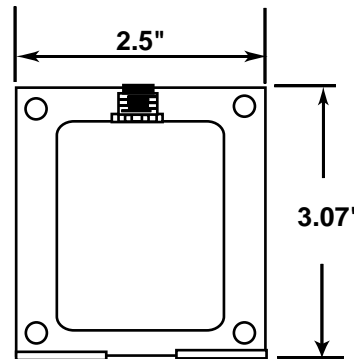
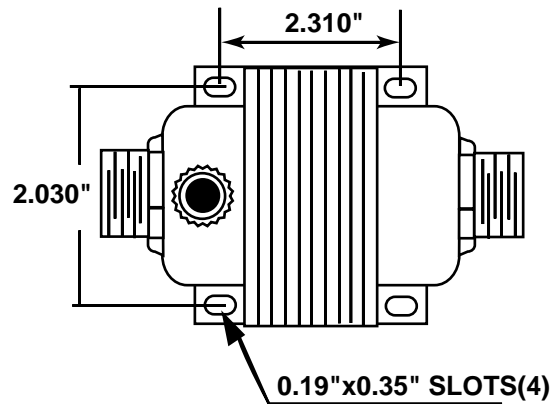


# NDL INDUSTRIES INC.

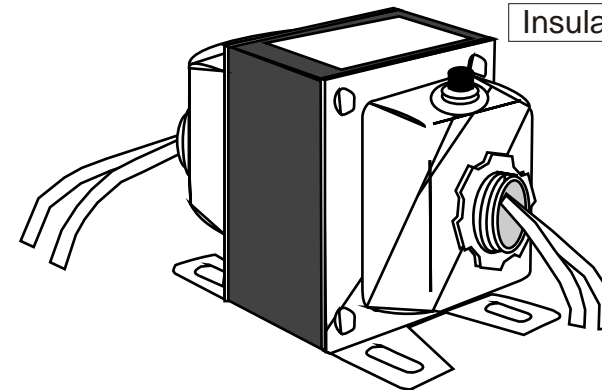
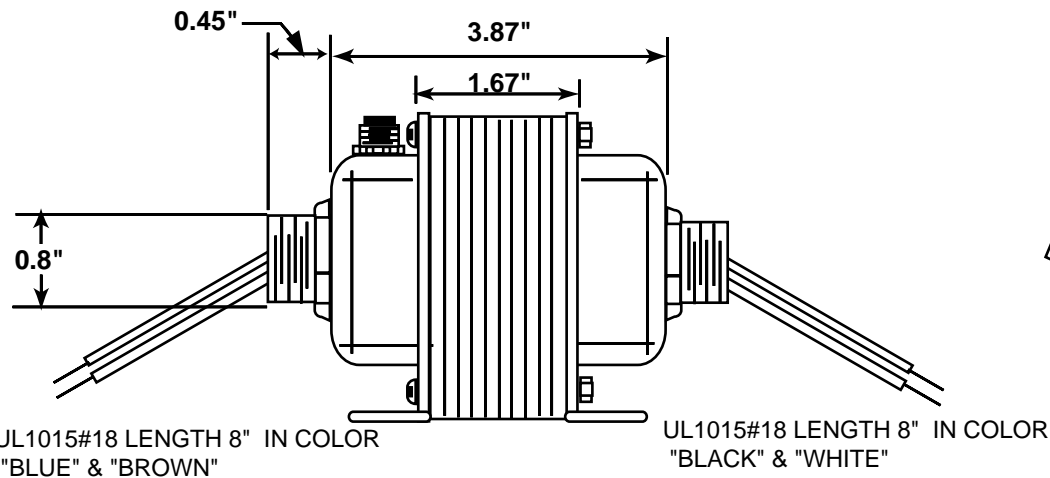
The high quality that you require at competitive prices.

## Transformer

## 7511CBDH



Frequency	50/60Hz
Power Rating	75VA
Primary Voltage	120V
Secondary Voltage	24V
Insulation System	Class B



UNIT: inch  $\pm$  0.04

### NDL INDUSTRIES INC.

266 S.W. Marine Drive, Vancouver, BC Canada V5X 2R5  
 Toll Free 1 866 635 6888 Tel. (604) 736 7470 Fax (604) 736 0164

[www.ndlinc.com](http://www.ndlinc.com)