

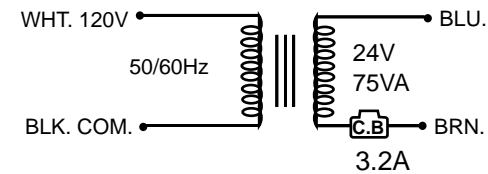
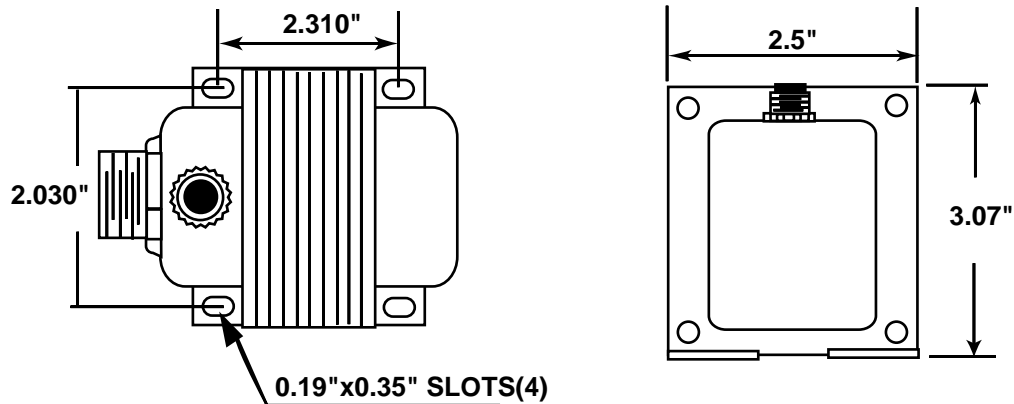


NDL INDUSTRIES INC.

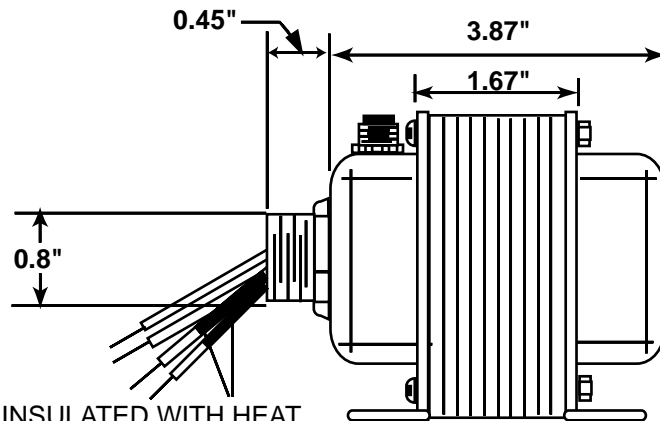
The high quality that you require at competitive prices.

Transformer

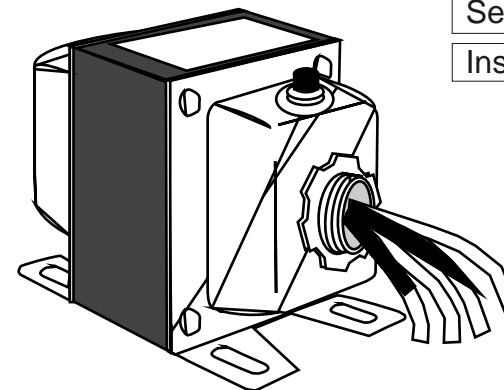
7511CBSH



Frequency	50/60Hz
Power Rating	75VA
Primary Voltage	120V
Secondary Voltage	24V
Insulation System	Class B



SEC. INSULATED WITH HEAT SHRINKABLE TUBE IN BLACK.
 UL1015#18 LENGTH 8" IN COLOR
 "BLACK", "WHITE", "BLUE" & "BROWN"



UNIT: inch ± 0.04

NDL INDUSTRIES INC.

266 S.W. Marine Drive, Vancouver, BC Canada V5X 2R5

Toll Free 1 866 635 6888 NDL Tel. (604) 736 7470 NDL Fax (604) 736 0164

www.ndlinc.com