



NDL
FITTING YOUR NEEDS
Transformer

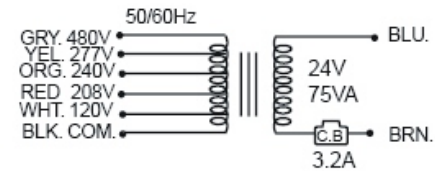
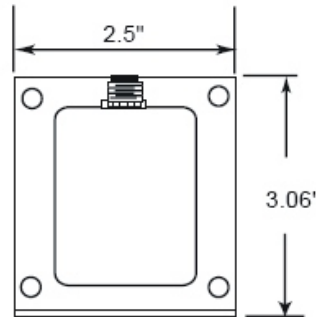
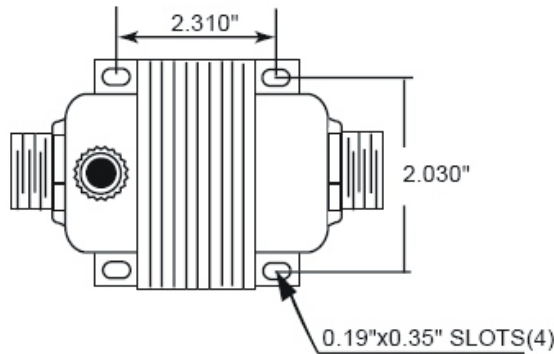


NDL INDUSTRIES INC.

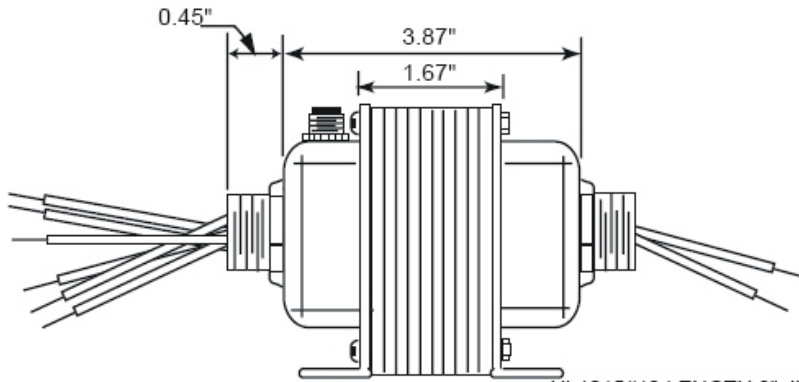
The high quality that you require at competitive prices.

7551CBMW-Y

Double Hub With Circuit Breaker

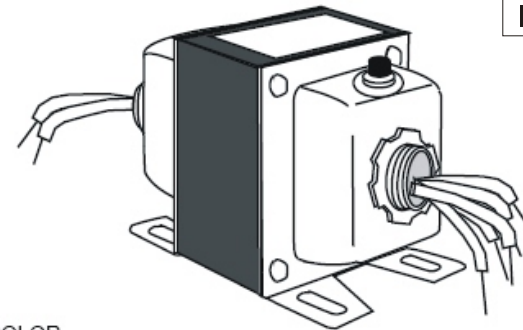


Frequency	50/60HZ
Power Rating	75VA
Primary Voltage	120/208/240/277/480
Secondary Voltage	24
Insulation System	Class B





UL1015#18 LENGTH 8" IN COLOR "BLACK", "WHITE", "RED", "ORANGE", "YELLOW" & "GRAY"

UL1015#18 LENGTH 8" IN COLOR "BLUE" & "BROWN"



UNIT: inch ± 0.04

NDL INDUSTRIES INC.

266 S.W. Marine Drive, Vancouver, BC Canada V5X 2R5
Toll Free 1 866 635 6888  Tel. (604) 736 7470  Fax (604) 736 0164

www.ndlinc.com