

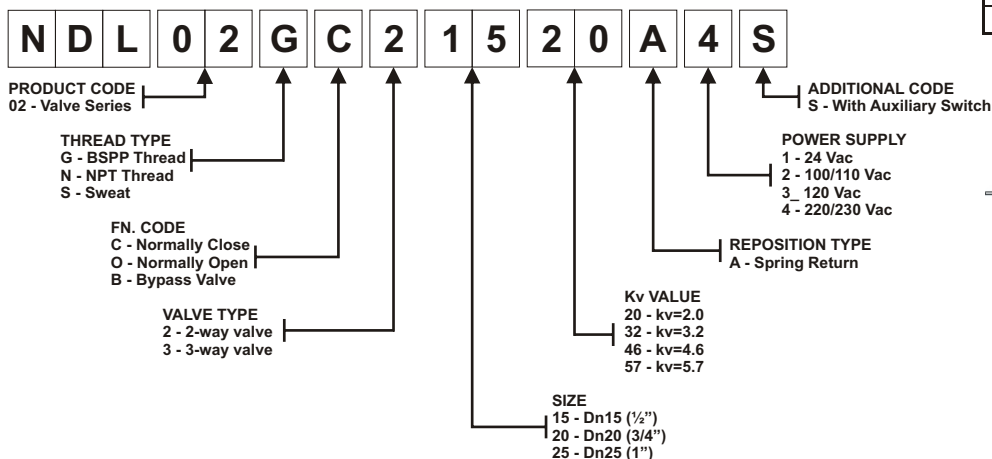


MATERIAL	VALVE BODY	Forged brass
	SEAL MATERIAL	Nitrile butadiene rubber (NBR)
	CHASSIS & COVER	Fireproof ABS engineering plastic
WORKING MEDIA		Chilled / hot water
MEDIA TEMPERATURE		2~ 94°C(36~ 201°F)
PRESSURE RATING		2.1MPa
RATING VOLTAGE		220VAC±10%, 50/60Hz
POWER		6.5W
DRIVING PARTS		Driven by synchronous motor, spring return
OPERATION DURATION		Motor: about 15s after power on Spring: 5s after power off
AMBIENT TEMPERATURE		0~ 60°C(32~ 140°F)
STORAGE TEMPERATURE		-20~ 65°C Max. Rh, no condensation

MODEL	TYPE	Kv	SIZE	CLOSING-OFF PRESSURE	POWER SUPPLY
NDL02GC21532A4	Normally Close 2 Way	3.2	G1/2"	0.20MPa	24Vac, 110Vac, 120V, 220/230Vac ±10% 50-60HZ
NDL02GC22032A4		3.2	G3/4"	0.20MPa	
NDL02GC22568A4		6.8	G1"	0.08MPa	
NDL02GC232A0A4		10	G1 1/4"	0.08Mpa	
NDL02GB31532A4	Diverting 3 Way	3.2	G1/2"	0.20MPa	
NDL02GB32046A4		4.6	G3/4"	0.15MPa	
NDL02GB32557A4		5.7	G1"	0.10MPa	
NDL02GB33284A4		8.4	G1 1/4"	0.08Mpa	

*Add \$2 per end switch

MODEL SELECTION



MODEL	DIMENSION (mm)						
	A	B	C	D	E	F (2-way)	G (3-way)
1/2", 2-Way	80	40	91	68	65	108	--
1/2", 3-Way	80	40	91	68	65	--	118
3/4", 2-Way	89	44	91	68	65	108	--
3/4", 3-Way	89	44	91	68	65	--	120
1", 2-Way	93	44	91	68	65	110	--
1", 3-Way	93	44	91	68	65	--	126
1 1/4", 2-Way	105	54	91	68	65	124	--
1 1/4", 3-Way	105	54	91	68	65	--	139

