



# Stainless Steel Service Valves

## TECHNICAL SPECIFICATIONS SUBMITTAL FORM

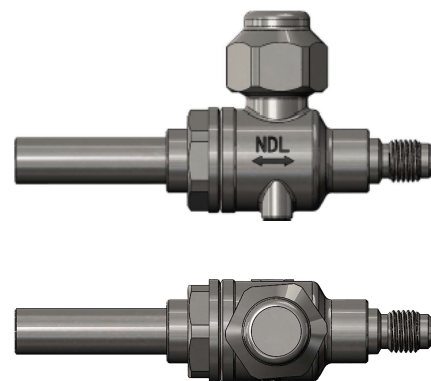
Job Name:	Submittal Date:	Wholesaler:
Job Location:	Engineer/Architect:	Contractor:

### Product Use:

Service valve for use in refrigeration, commercial HVAC, VRF, multi-mini split, sub-critical and trans-critical applications. Specifically designed for CO<sub>2</sub> refrigeration.

### Design and Features:

- Service valves with 2030 PSI (140 Bar) working pressure
- Compatible with CO<sub>2</sub> (R744), HCFC, HFC, HFO refrigerants, and oils
- Teflon (PTFE) seals
- Rupture-proof encapsulated stem and bi-directional flow
- Stainless steel body
- 100% leak tested
- Stamped with serial number and packaged in poly-bag
- Two-year warranty



### Operating Specifications:

- Temperature: -40° to 302°F (-40°C to 150°C)
- Burst Pressure: 5 times the working pressure
- Leak Rate: <0.02g/year
- Life Expectancy: >50,000 cycles

### Certifications and Approvals:

- CRN recognized
- CE approved
- UKCA approved
- RoHS compliant

### CO<sub>2</sub>-HS Sizes, Ball Port Sizes, Kv/Cv, and Pressure Ratings

PART NUMBER	CONNECTIONS		BALL PORT SIZE	KV	CV	MAX. OPERATING PRESSURE	
	W, MM	SAE, IN	MM	M3/H	GPM	BAR	PSI
CO2-HS10	10	1/4"	10	1.1	1.3	140	2030
CO2-HS12	12	1/4"	10	1.1	1.3	140	2030

### CO<sub>2</sub>-HS Materials

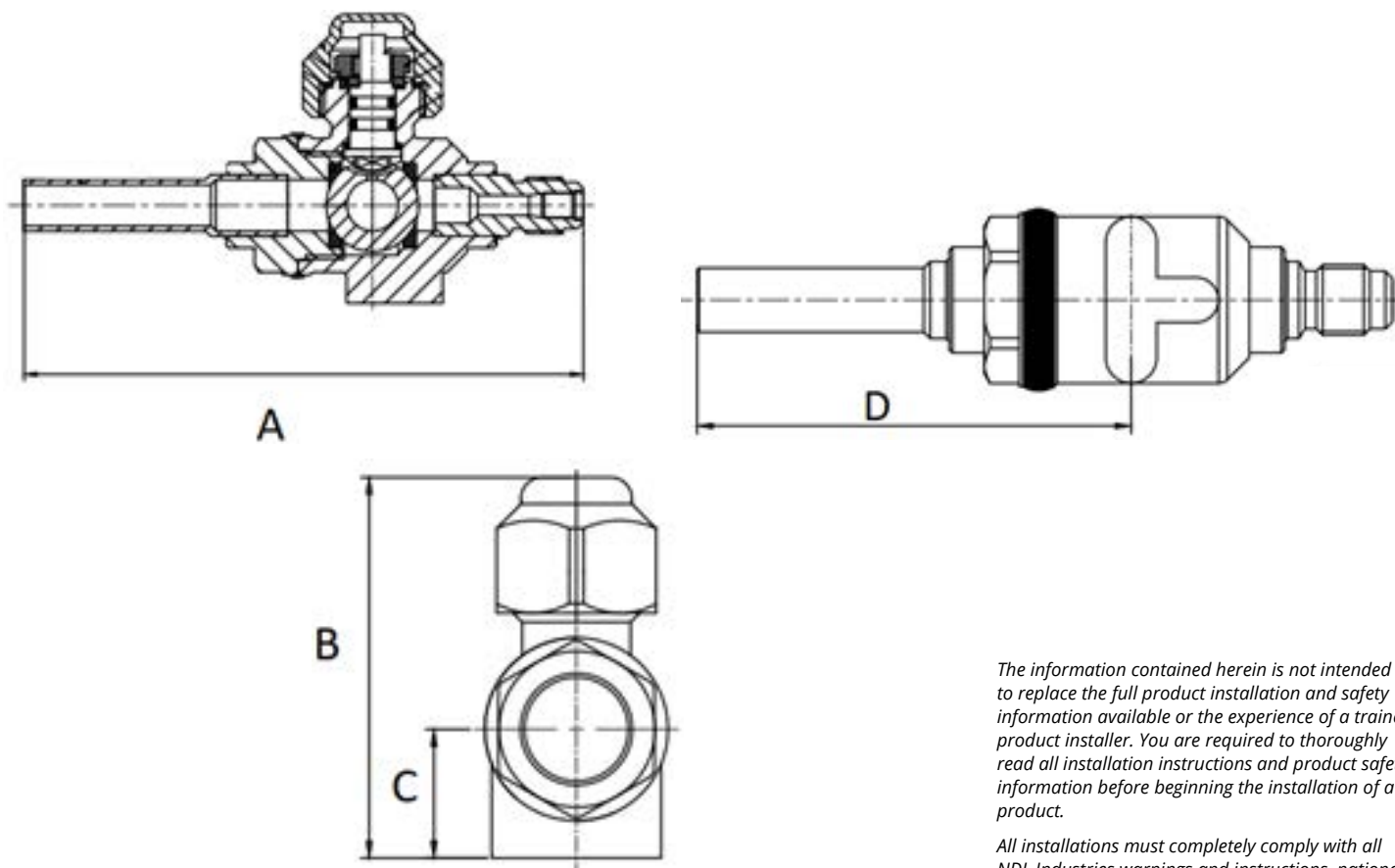
PART	MATERIAL
STUBOUTS	Stainless Steel
SEALS & SEATS	Teflon (PTFE)
CAP	Stainless Steel
STEM	Stainless Steel
LOCK NUT	Stainless Steel
BODY	Stainless Steel
BALL	Stainless Steel



# Stainless Steel Service Valves

## CO2-HS Dimensions

Model	CONNECTIONS		A		B		C		D	
	W, MM	SAE, IN	MM	IN	MM	IN	MM	IN	MM	IN
CO2-HS10	10	1/4	109	4.29	56.1	2.21	19	0.75	68	2.68
CO2-HS12	12	1/4	109	4.29	56.1	2.21	19	0.75	68	2.68



## Part Selection

CO2-HS10	10 mm Hybrid service ball valve (140bar Working Pressure)
CO2-HS12	12 mm Hybrid service ball valve (140bar Working Pressure)

*The information contained herein is not intended to replace the full product installation and safety information available or the experience of a trained product installer. You are required to thoroughly read all installation instructions and product safety information before beginning the installation of a product.*

*All installations must completely comply with all NDL Industries warnings and instructions, national state and local codes and all applicable ANSI standards.*

*NDL Industries product specifications in U.S. customary units and metric are approximate and are provided for reference only. For precise measurements, please contact Customer*

*Service. NDL Industries reserves the right to change or modify product design, construction, specifications, or materials without prior notice and without incurring any obligation to make such changes and modifications on NDL products previously or subsequently sold.*