

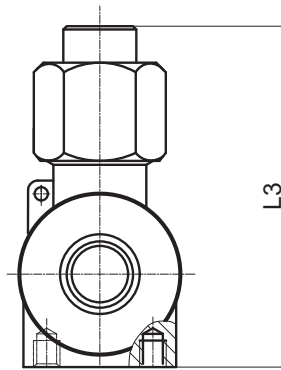




# NBV-MSFFS Mini Split Reverse Ball Valves

## NBV-MSFFS Certifications and Approvals

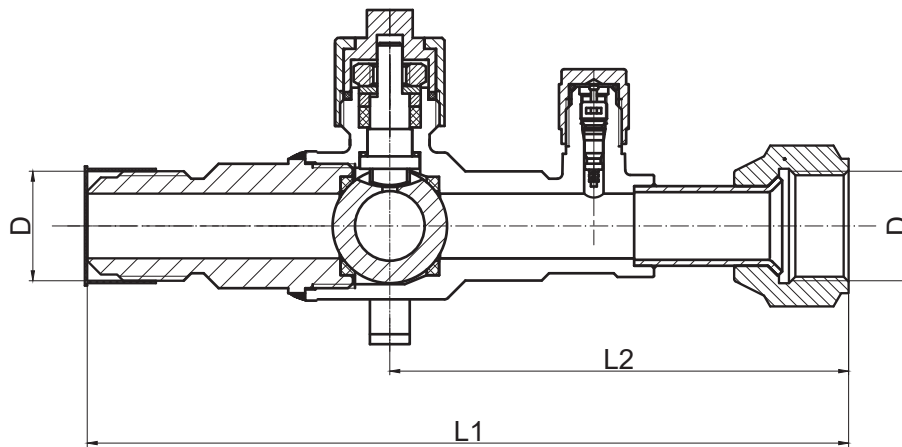
UL/cUL 207, CRN recognized, CE approved, RoHS compliant



### NBV-IN Insulation

EPDM-based, closed cell, light-weight elastomeric thermal insulation for temperatures up to 150°C (302°F).

- Tough skin for easy installation
- Self-extinguished and does not melt when burned
- Indoor and outdoor use
- NBV-IN-S: compatible with 1/4" to 5/8" ball valves with Schrader
- NBV-IN-M: compatible with 3/4" to 7/8" ball valves with Schrader



## NBV-MSFFS Dimensions

Model	SIZE	MAX. WORKING PRESSURE		D	L1		L2		L3		Weight	
		PSI	BAR		in	mm	in	mm	in	mm	lbs	kg
NBV14MSFFS	1/4"	900	62	7/16-20UNF	4.92	125.00	3.15	80.00	2.02	51.30	0.507	0.230
NBV38MSFFS	3/8"	900	62	5/8-18UNF	4.80	122.00	2.80	71.00	2.02	51.30	0.595	0.270
NBV12MSFFS	1/2"	900	62	3/4-16UNF	6.02	153.00	4.02	102.00	2.02	51.30	0.628	0.285
NBV58MSFFS	5/8"	900	62	7/8-14UNF	6.02	153.00	3.63	92.20	2.30	58.40	0.948	0.430



Explore our full line of high-quality HVAC-R and plumbing products.

ndlinc.com | 1-866-635-6888 | sales@ndlinc.com

NDL-NBV-MSFFS-5-2021

