



NDL Industries

APPLICATIONS

Commercial, Industrial, and Residential HVAC and Refrigeration

CO₂ Fittings

Our robust design meets and exceeds the industry standards for holding maximum working pressure, garnering the reliability for transcritical CO₂ refrigeration applications.





NDL Industries

CO₂ Fittings

Table of Contents

Product Information	1
Staked Couplings	2
Reduced Couplings	2
Bushings	3
90° LR Elbows	4
45° Elbows	5
Tees	6
Reduced Tees	6
Reduced Tees	7
Copper Tees for Service Valve	7
Caps	7

Symbols used to describe fittings ends are as follows:

C Copper (cup) manufactured to receive copper tube diameter

FTG Fittings end made to copper tube diameter



Preferred by HVAC-R Professionals



Explore our full line of high-quality HVAC-R and plumbing products.

ndlinc.com | 1-866-635-6888 | sales@ndlinc.com

@ndlindustries





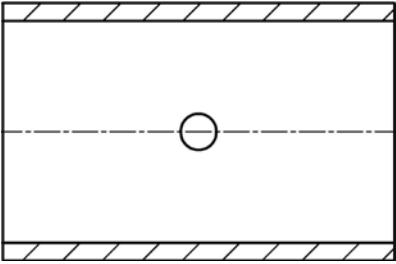
CO₂ Fittings

High-pressure copper-iron alloy fittings with High-Quality Performance

- NDL ensures copper quality content and strict adherence to meet or exceed ASME B16.22 standards for wall thickness.
- Our high-pressure copper-iron alloy fittings are tested for actual burst pressure with the results exceeding 3 times the design pressure.
- Each fitting is marked with "CO2 130 BAR" and OD size for easy field identification.
- Fittings are poly-bagged within the box, keeping them clean and contaminant-free prior to installation.
- The fittings have tight tolerances on the cup side for a stronger joint with the tube and easier brazing.
- The unparalleled NDL 10 Year Ultimate Protection Warranty will cover the loss of refrigerant and labor to replace the failed fitting.
- Our copper fittings have zero reported failures since 1999.

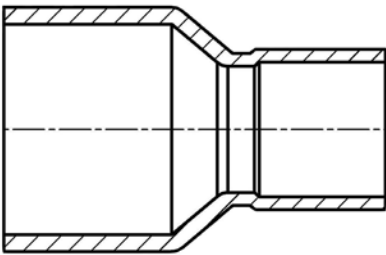
Technical Data

SIZE RANGE	From 3/8" up to 2 1/8"
APPLICATION	Air conditioning and refrigeration. Designed for high-pressure applications, especially for CO (R744) systems.
MATERIAL	Copper alloy CuFe2P C19400
MAXIMUM OPERATING PRESSURE	130 bar / 13 MPa / 1885 psi at 150° C
OPERATING TEMPERATURE	-196° C to 150° C / -320° F to 302° F
BURST PRESSURE	>390 bar / >39 MPa / >5656 psi
TUBE COMPATIBILITY	Compatible with main pipe types manufactured from copper iron alloys available on the market.



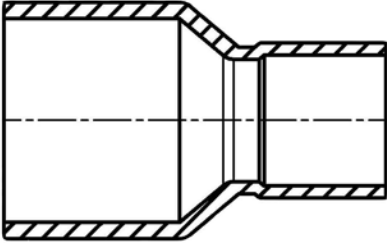
Staked Couplings (C x C)

PART #	OD - DESCRIPTION	BOX QTY	WT (LB)	WT (G)
CO10143	3/8" Coupling w/stake stop C x C	100	0.009	4.00
CO10144	1/2" Coupling w/stake stop C x C	100	0.018	8.00
CO10145	5/8" Coupling w/stake stop C x C	100	0.029	13.00
CO10157	3/4" Coupling w/stake stop C x C	100	0.051	23.00
CO10146	7/8" Coupling w/stake stop C x C	100	0.086	39.00
CO10147	1-1/8" Coupling w/stake stop C x C	100	0.152	69.00
CO10148	1-3/8" Coupling w/stake stop C x C	60	0.258	117.00
CO10149	1-5/8" Coupling w/stake stop C x C	30	0.373	169.00
CO10150	2-1/8" Coupling w/stake stop C x C	30	0.818	371.00



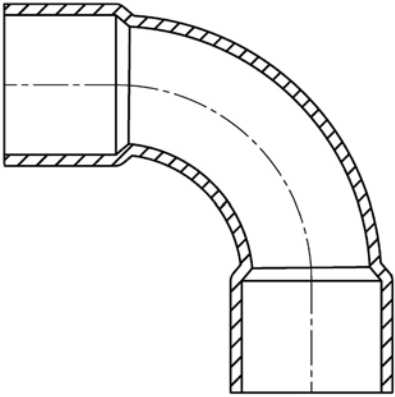
Reduced Couplings (C x C)

PART #	OD - DESCRIPTION	BOX QTY	WT (LB)	WT (G)
CO1019	1/2" x 3/8" Reducing Coupling C x C	100	0.020	9.00
CO1023	5/8" x 1/2" Reducing Coupling C x C	100	0.031	14.00
CO1029	3/4" x 5/8" Reducing Coupling C x C	100	0.057	26.00
CO1035	7/8" x 3/4" Reducing Coupling C x C	100	0.086	39.00
CO1049	1-1/8" x 7/8" Reducing Coupling C x C	100	0.146	66.00
CO1052	1-1/8" x 1/2" Reducing Coupling C x C	100	0.132	60.00
CO1056	1-3/8" x 1-1/8" Reducing Coupling C x C	60	0.234	106.00
CO1058	1-3/8" x 7/8" Reducing Coupling C x C	60	0.231	105.00
CO1059	1-3/8" x 3/4" Reducing Coupling C x C	60	0.220	100.00
CO1060	1-3/8" x 5/8" Reducing Coupling C x C	60	0.209	95.00
CO1061	1-3/8" x 1/2" Reducing Coupling C x C	60	0.214	97.00
CO1064	1-5/8" x 1-3/8" Reducing Coupling C x C	30	0.328	149.00
CO1065	1-5/8" x 1-1/8" Reducing Coupling C x C	30	0.320	145.00
CO1067	1-5/8" x 7/8" Reducing Coupling C x C	30	0.304	138.00
CO1068	1-5/8" x 3/4" Reducing Coupling C x C	30	0.298	135.00
CO1073	2-1/8" x 1-5/8" Reducing Coupling C x C	30	0.675	306.00
CO1074	2-1/8" x 1-3/8" Reducing Coupling C x C	30	0.661	300.00



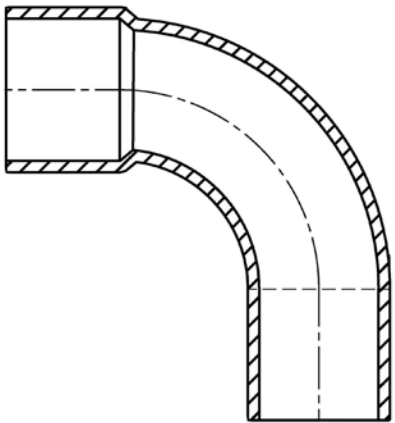
Bushings (FTG x C)

PART #	OD - DESCRIPTION	BOX QTY	WT (LB)	WT (G)
CO1312	1/2" x 3/8" Reducing Bushing FTG x C	100	0.017	7.50
CO21313	1/2" x 12mm Reducing Bushing FTG x C	100	0.019	8.50
CO1315	5/8" x 1/2" Reducing Bushing FTG x C	100	0.026	12.00
CO1317	5/8" x 3/8" Reducing Bushing FTG x C	100	0.026	12.00
CO1320	3/4" x 5/8" Reducing Bushing FTG x C	100	0.049	22.00
CO1321	3/4" x 1/2" Reducing Bushing FTG x C	100	0.046	21.00
CO1322	3/4" x 3/8" Reducing Bushing FTG x C	100	0.046	21.00
CO1328	7/8" x 3/8" Reducing Bushing FTG x C	100	0.068	31.00
CO1327	7/8" x 1/2" Reducing Bushing FTG x C	100	0.068	31.00
CO1326	7/8" x 5/8" Reducing Bushing FTG x C	100	0.066	30.00
CO1325	7/8" x 3/4" Reducing Bushing FTG x C	100	0.071	32.00
CO21326	7/8" x 22mm Reducing Bushing FTG x C	100	0.071	32.00
CO1340	1-1/8" x 1/2" Reducing Bushing FTG x C	100	0.117	53.00
CO1399	1-1/8" x 5/8" Reducing Bushing FTG x C	30	0.121	55.00
CO1338	1-1/8" x 3/4" Reducing Bushing FTG x C	100	0.123	56.00
CO1337	1-1/8" x 7/8" Reducing Bushing FTG x C	100	0.126	57.00
CO21338	1-1/8" x 28mm Reducing Bushing FTG x C	100	0.128	58.00
CO1347	1-3/8" x 5/8" Reducing Bushing FTG x C	60	0.176	80.00
CO1345	1-3/8" x 7/8" Reducing Bushing FTG x C	60	0.194	88.00
CO1343	1-3/8" x 1-1/8" Reducing Bushing FTG x C	60	0.203	92.00
CO21344	1-3/8" x 35mm Reducing Bushing FTG x C	60	0.220	100.00
CO1353	1-5/8" x 7/8" Reducing Bushing FTG x C	30	0.280	127.00
CO1351	1-5/8" x 1-1/8" Reducing Bushing FTG x C	60	0.282	128.00
CO1350	1-5/8" x 1-3/8" Reducing Bushing FTG x C	60	0.289	131.00
CO21349	1-5/8" x 42mm Reducing Bushing FTG x C	30	0.309	140.00
CO1362	2-1/8" x 7/8" Reducing Bushing FTG x C	30	0.606	275.00
CO1360	2-1/8" x 1-1/8" Reducing Bushing FTG x C	30	0.617	280.00
CO1359	2-1/8" x 1-3/8" Reducing Bushing FTG x C	30	0.639	290.00
CO1358	2-1/8" x 1-5/8" Reducing Bushing FTG x C	30	0.586	266.00



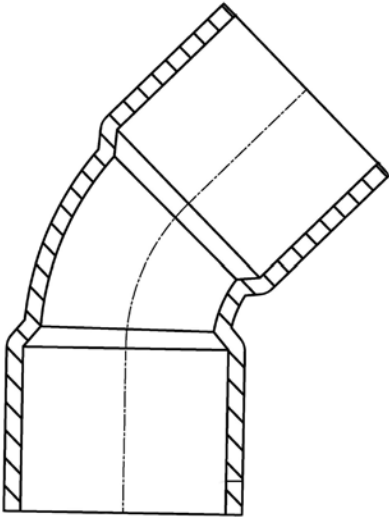
90°LR Elbows (C x C)

PART #	OD - DESCRIPTION	BOX QTY	WT (LB)	WT (G)
CO2716	3/8" 90° Long Radius Elbow C x C	100	0.017	7.50
CO2717	1/2" 90° Long Radius Elbow C x C	100	0.036	16.50
CO2722	5/8" 90° Long Radius Elbow C x C	100	0.066	30.00
CO2728	3/4" 90° Long Radius Elbow C x C	100	0.121	55.00
CO2734	7/8" 90° Long Radius Elbow C x C	100	0.119	54.00
CO2747	1-1/8" 90° Long Radius Elbow C x C	100	0.320	145.00
CO2055	1-3/8" 90° Long Radius Elbow C x C	30	0.628	285.00
CO2063	1-5/8" 90° Long Radius Elbow C x C	30	1.190	540.00
CO2072	2-1/8" 90° Long Radius Elbow C x C	10	3.097	1405.00



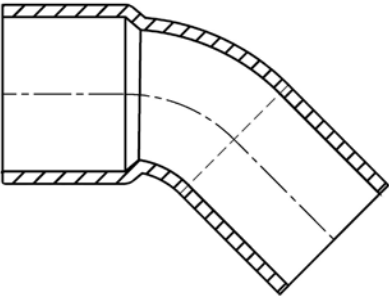
90°LR Elbows (FTG x C)

PART #	OD - DESCRIPTION	BOX QTY	WT (LB)	WT (G)
CO2809	3/8" 90° Long Radius Street Elbow FTG x C	100	0.018	8.00
CO2817	1/2" 90° Long Radius Street Elbow FTG x C	100	0.037	17.00
CO2822	5/8" 90° Long Radius Street Elbow FTG x C	100	0.064	29.00
CO2828	3/4" 90° Long Radius Street Elbow FTG x C	100	0.123	56.00
CO2834	7/8" 90° Long Radius Street Elbow FTG x C	100	0.168	76.00
CO2847	1-1/8" 90° Long Radius Street Elbow FTG x C	100	0.342	155.00
CO2350	1-3/8" 90° Long Radius Street Elbow FTG x C	30	0.606	275.00
CO2355	1-5/8" 90° Long Radius Street Elbow FTG x C	20	1.149	521.00
CO2359	2-1/8" 90° Long Radius Street Elbow FTG x C	10	3.086	1400.00



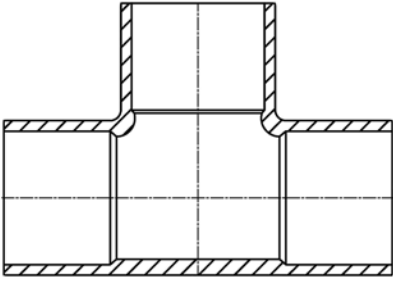
45° Elbow (C x C)

PART #	OD - DESCRIPTION	BOX QTY	WT (LB)	WT (G)
CO3012	3/8" 45° Elbow C x C	100	0.012	5.50
CO3021	1/2" 45° Elbow C x C	100	0.022	10.00
CO3026	5/8" 45° Elbow C x C	100	0.042	19.00
CO3030	3/4" 45° Elbow C x C	100	0.068	31.00
CO3034	7/8" 45° Elbow C x C	100	0.117	53.00
CO3044	1-1/8" 45° Elbow C x C	100	0.223	101.00
CO3050	1-3/8" 45° Elbow C x C	30	0.379	172.00
CO3055	1-5/8" 45° Elbow C x C	20	0.560	254.00
CO3059	2-1/8" 45° Elbow C x C	10	1.653	750.00



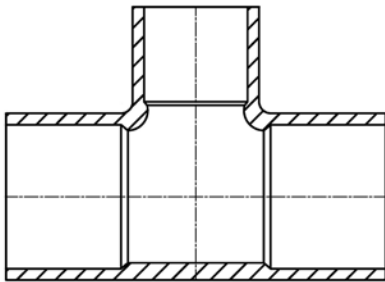
45° Elbow (FTG x C)

PART #	OD - DESCRIPTION	BOX QTY	WT (LB)	WT (G)
CO3312	3/8" 45° Street Elbow FTG x C	100	0.011	5.00
CO3321	1/2" 45° Street Elbow FTG x C	100	0.022	10.00
CO3326	5/8" 45° Street Elbow FTG x C	100	0.042	19.00
CO3330	3/4" 45° Street Elbow FTG x C	100	0.077	35.00
CO3334	7/8" 45° Street Elbow FTG x C	100	0.117	53.00
CO3344	1-1/8" 45° Street Elbow FTG x C	100	0.227	103.00
CO3350	1-3/8" 45° Street Elbow FTG x C	30	0.388	176.00
CO3355	1-5/8" 45° Street Elbow FTG x C	20	0.567	257.00
CO3359	2-1/8" 45° Street Elbow FTG x C	10	0.992	450.00



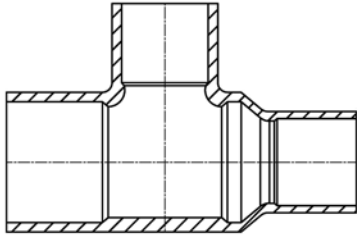
Tee (C x C x C)

PART #	OD - DESCRIPTION	BOX QTY	WT (LB)	WT (G)
CO4000	3/8" Tee C x C x C	100	0.022	10.00
CO4001	1/2" Tee C x C x C	100	0.049	22.00
CO4006	5/8" Tee C x C x C	100	0.073	33.00
CO4017	3/4" Tee C x C x C	100	0.134	61.00
CO4031	7/8" Tee C x C x C	100	0.201	91.00
CO4048	1-1/8" Tee C x C x C	100	0.441	200.00
CO4068	1-3/8" Tee C x C x C	30	0.734	333.00
CO4084	1-5/8" Tee C x C x C	20	1.054	478.00
CO40102	2-1/8" Tee C x C x C	15	2.371	1075.50



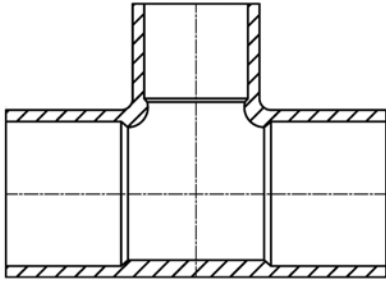
Reduced Tee (C x C x C)

PART #	OD - DESCRIPTION	BOX QTY	WT (LB)	WT (G)
CO4002	1/2" x 1/2" x 3/8" Reducing Tee C x C x C	100	0.042	19.00
CO4008	5/8" x 5/8" x 3/8" Reducing Tee C x C x C	100	0.062	28.00
CO4007	5/8" x 5/8" x 1/2" Reducing Tee C x C x C	100	0.066	30.00
CO4019	3/4" x 3/4" x 1/2" Reducing Tee C x C x C	100	0.110	50.00
CO4018	3/4" x 3/4" x 5/8" Reducing Tee C x C x C	100	0.134	61.00
CO4034	7/8" x 7/8" x 1/2" Reducing Tee C x C x C	100	0.161	73.00
CO4033	7/8" x 7/8" x 5/8" Reducing Tee C x C x C	100	0.181	82.00
CO4032	7/8" x 7/8" x 3/4" Reducing Tee C x C x C	100	0.205	93.00
CO4050	1-1/8" x 1-1/8" x 3/4" Reducing Tee C x C x C	100	0.377	171.00
CO4049	1-1/8" x 1-1/8" x 7/8" Reducing Tee C x C x C	100	0.377	171.00
CO4071	1-3/8" x 1-3/8" x 3/4" Reducing Tee C x C x C	30	0.551	250.00
CO4070	1-3/8" x 1-3/8" x 7/8" Reducing Tee C x C x C	30	0.584	265.00
CO4069	1-3/8" x 1-3/8" x 1-1/8" Reducing Tee C x C x C	20	0.622	282.00
CO4086	1-5/8" x 1-5/8" x 1-1/8" Reducing Tee C x C x C	20	0.893	405.00
CO4085	1-5/8" x 1-5/8" x 1-3/8" Reducing Tee C x C x C	20	0.992	450.00
CO40103	2-1/8" x 2-1/8" x 1-5/8" Reducing Tee C x C x C	15	1.984	900.00



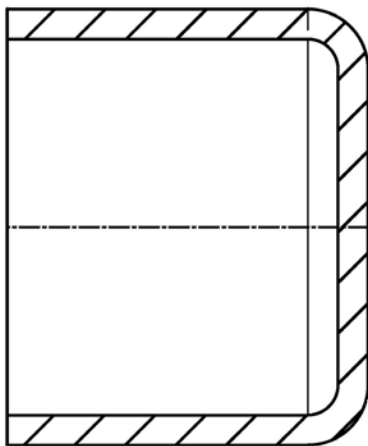
Reduced Tee (C x C x C)

PART #	OD - DESCRIPTION	BOX QTY	WT (LB)	WT (G)
CO4004	1/2" x 3/8" x 3/8" Reducing Tee C x C x C	100	0.042	19.00
CO4010	5/8" x 1/2" x 1/2" Reducing Tee C x C x C	100	0.066	30.00
CO4059	1-1/8" x 7/8" x 1/2" Reducing Tee C x C x C	100	0.355	161.00



Copper Tee for Service Valve (C x C x C)

PART #	OD - DESCRIPTION	BOX QTY	WT (LB)	WT (G)
CO4001S	1/2" x 1/2" x 10 mm Reducing Tee C x C x C	100	0.055	25.00
CO4006S	5/8" x 5/8" x 10 mm Reducing Tee C x C x C	100	0.066	32.00
CO4017S	3/4" x 3/4" x 10 mm Reducing Tee C x C x C	100	0.110	50.00
CO4031S	7/8" x 7/8" x 10 mm Reducing Tee C x C x C	100	0.183	83.00
CO4048S	1-1/8" x 1-1/8" x 10 mm Reducing Tee C x C x C	100	0.30	136.00
CO4068S	1-3/8" 1-3/8" x 10 mm Reducing Tee C x C x C	30	0.551	250.00
CO4084S	1-5/8" x 1-5/8" x 10 mm Reducing Tee C x C x C	20	0.772	350.00
CO40102S	2-1/8" x 2-1/8" x 10 mm Reducing Tee C x C x C	15	1.764	800.00



Cap

PART #	OD - DESCRIPTION	BOX QTY	WT (LB)	WT (G)
CO7004	3/8" Cap	100	0.007	3.00
CO7006	1/2" Cap	100	0.011	5.00
CO7007	5/8" Cap	100	0.018	8.00
CO7008	3/4" Cap	100	0.031	14.00
CO7009	7/8" Cap	100	0.062	28.00
CO7011	1-1/8" Cap	100	0.099	45.00
CO7012	1-3/8" Cap	60	0.165	75.00
CO7013	1-5/8" Cap	30	0.220	100.00
CO7014	2-1/8" Cap	30	0.617	280.00



FAST ORDER TURNAROUND

Our Operations Center is strategically located in the Memphis, Tennessee metro area to streamline delivery and bolster the customer service that NDL is known for throughout the industry.



We Focus on Quality and Service So You Can Install with Confidence.

Since 1998, it has been our mission to stay ahead of the curve as an industry leader in the HVAC, Refrigeration, and Plumbing markets. We have achieved this over the years by placing a heavy emphasis on quality, innovation, and maintaining a global team of experienced professionals to deliver top-notch service. We continue to hold ourselves to the highest standards, never sacrificing our commitment to our customers or our product that has what made us the company we are today.

What you can expect from us:

- Fast order turnaround
- Real-time order communications
- Field-experienced sales and technical support
- Parts packaged in contractor-friendly sized bags
- High-quality control standards for superior fit and finish



Innovative HVAC-R Products That Exceed Expectations.

We began our journey looking for the best ACR copper fitting and we engineered a design that now exceeds industry standards. We maintain the same high-quality standards and performance expectations with our filter driers, refrigeration ball valves, and other HVAC and refrigeration products.

Learn more about our high-quality products with zero reported failures at ndlinc.com.



Explore our full line of high-quality HVAC-R and plumbing products.

ndlinc.com | 1-866-635-6888 | sales@ndlinc.com

@ndlindustries

