



NDL Industries

APPLICATIONS

Refrigeration, Commercial HVAC-R, VRV, VRF, Multi-mini Split, and Sub-critical Applications.

NBV Full Port Ball Valves (without Schrader)

NDL ball valves perform unlike any other in its class for leak prevention, reliability, and superior field performance.



NBV Specifications

Quality Tested

Tested with 95% nitrogen and 5% hydrogen solution at 450 PSIG to detect and correct any leaks before leaving the factory.

Teflon Seals and Seats

Reduce service calls, refrigerant loss, and environmental contamination with our cone-shaped 100% virgin Teflon seals and seats that will not shrink or leak, eliminating seal replacement during changeovers.

Bottom-Up Stem Installation

Our stem placement is engineered from the bottom up. If there is an accidental over-pressurization in the valve, it will not blow the stem out and lose the charge. Plus, using the virgin Teflon seals ensures no need for seal replacement.

Two-Piece Cap Nut

No need to remove the cap during installation or service. Loosen the nut, turn 1/4 of the stem cap, and open the valve fully; close by turning 1/4 again. Tighten the nut, and the job is complete.

Oven-brazed Construction

Joined together with a smooth and equal brazing process to prevent pinhole leaks.

Unparalleled Two-year Warranty

Our warranty proves confidence, along with proudly stamping every valve with a serial number and cleanly packaging in a poly-bag to prevent contamination and malfunctions.

Heavy-duty Full Port Valves

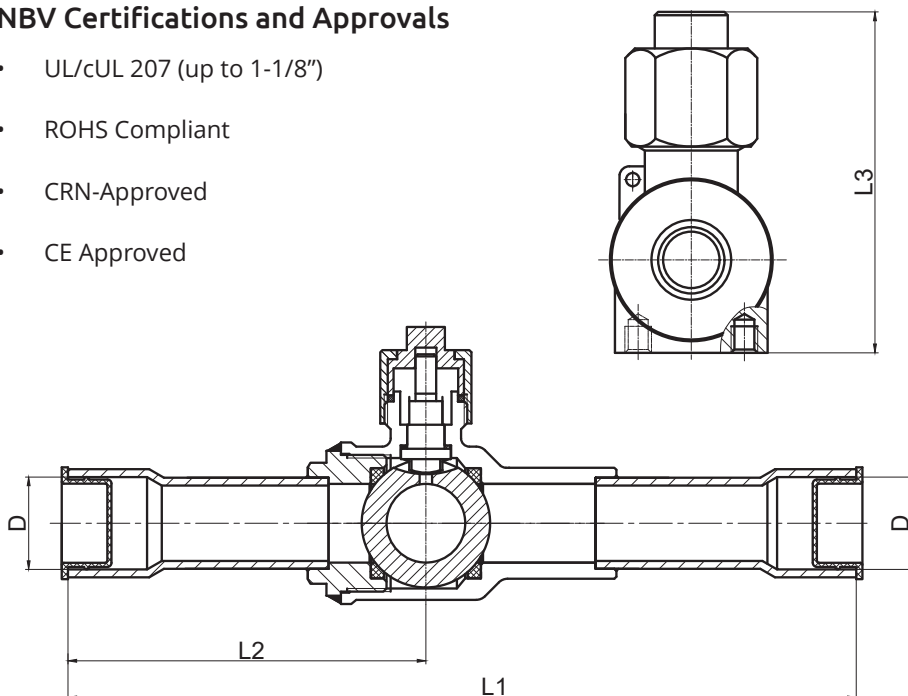
Built to last with 900 PSIG working pressure on sizes up to 7/8".



NBV Full Port Ball Valves without Schrader

NBV Certifications and Approvals

- UL/cUL 207 (up to 1-1/8")
- ROHS Compliant
- CRN-Approved
- CE Approved



NBV-IN Insulation

EPDM-based, closed cell, light-weight elastomeric thermal insulation for temperatures up to 150°C (302°F).

- Tough skin for easy installation
- Self-extinguished and does not melt when burned
- Indoor and outdoor use
- NBV-IN-S: compatible with 1/4" to 5/8" ball valves with Schrader
- NBV-IN-M: compatible with 3/4" to 7/8" ball valves with Schrader

NBV Dimensions

MODEL	SIZE	MAX. WORKING PRESSURE		D		L1		L2		L3		WEIGHT	
		PSIG	BAR	MM	IN	MM	IN	MM	IN	MM	IN	LB	G
NBV02	1/4"	900	62	6.40	0.25	126.00	4.96	53.00	2.09	51.30	2.02	0.463	210
NBV03	3/8"	900	62	9.58	0.38	126.00	4.96	53.00	2.09	51.30	2.02	0.481	218
NBV04	1/2"	900	62	12.75	0.50	127.50	5.02	54.00	2.13	51.30	2.02	0.481	218
NBV05	5/8"	900	62	15.93	0.63	150.00	5.91	63.30	2.57	58.40	2.30	0.728	330
NBV06	3/4"	900	62	19.10	0.75	164.00	6.46	74.00	2.91	66.00	2.60	1.113	505
NBV07	7/8"	900	62	22.28	0.88	189.50	7.46	86.00	3.39	66.00	2.60	1.202	545
NBV09	1-1/8"	700	48	28.65	1.13	209.00	8.23	97.00	3.82	83.00	3.27	1.900	870
NBV11	1-3/8"	700	48	35.00	1.38	228.60	9.00	109.00	4.29	98.50	3.88	3.100	1,405
NBV13	1-5/8"	700	48	41.35	1.63	241.30	9.50	115.00	4.53	112.50	4.43	5.104	2,315
NBV17	2-1/8"	700	48	54.05	2.13	266.70	10.50	131.00	5.16	131.60	5.18	8.741	3,695
NBV21	2-5/8"	650	45	66.75	2.63	380.00	14.96	184.00	7.24	153.00	6.02	14.310	6,490
NBV25	3-1/8"	650	45	79.45	3.13	410.00	16.14	198.00	7.80	173.40	6.83	21.034	9,540
NBV33	4-1/8"	450	31	104.85	4.13	450.00	17.72	221.00	8.70	207.80	8.18	36.732	16,660



Explore our full line of high-quality HVAC-R and plumbing products.

ndlinc.com | 1-866-635-6888 | sales@ndlinc.com

@ndlindustries

