



NDL Industries

APPLICATIONS

Refrigeration, Commercial HVAC-R, VRV, VRF, Multi-mini Split, and Sub-critical Applications.

NBV-IN Insulation

Innovative HVAC-R product with high-quality performance, enhancing your experience using NDL valves in the field.



NBV-IN Specifications

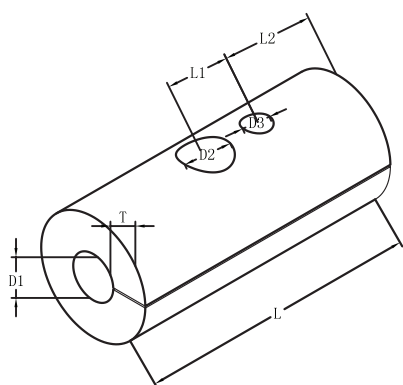
The NBV-IN Insulation is an EPDM-based, closed-cell, light-weight elastomeric thermal insulation specifically designed for solar and steam heating applications with service temperatures up to +150C (302F).

Due to the design, it has a tough skin for easy installation. It is self-extinguished and does not melt when burnt.

When used outdoors, the NBV-IN Insulation has excellent ozone, UV and weather resistance properties but may need additional protective coating or jacketing for long-term direct contact with sunlight.

Technical Data

PROPERTIES		NDL-IN						TEST METHOD
Cell Structure		Closed Cell						
Density lbs/ft3 (Kg/m)		2.5-5.0 (40-80)						ASTM D1667
Thermal Conductivity BTU.In/Ft2 hr oF (W/m.K)	Mean Temp	68oF (20oC)	104oF (40oC)	140oF (60oC)	176oF (80oC)	212oF (100oC)	303oF (150oC)	ASTM C 177 EN ISO 8497
	K-Value	0.250 (0.360)	0.263 (0.038)	0.277 (0.040)	0.284 (0.041)	0.306 (0.044)	0.395 (0.057)	
Service Temperature		Up to +150 oC Up to +302oF						ASTM C 411
Water Absorbtion		< 10% (by weight) < 0.20% (by volume)						ASTM D 1056 ASTM C209
Ozone Resistance		No Crack						ASTM E 1149 ASTM D 1171
UV Weather Resistance		Very Good						ASTM G 154
Flammability		Self-Extinguishing Class V-0						ASTM D 635 UL 94
RoHS		Not Detected						EN Restriction of the Use of Hazardous Substances Directive (RoHS) 2002/95/EC
Material		EPDM						
Working Temperature		-57°C to 125°C (-71°F to 257°F)						
UV Resistant Flame/Smoke Rating		15/50						
Color and Wall Thickness		Black, 3/4"						



Product Information

PART #	D1(MM)	D2(MM)	D3(MM)	L(MM)	L1(MM)	L2(MM)	KG
NBVINS	25	15.00	26.00	153.00	32.00	70.00	0.029
NBVINL	42	15.00	26.00	210.00	32.00	86.00	0.035
NBVINMS	42	15.00	26.00	170.00	32.00	86.00	0.032

NBVINS: Compatible with 1/4 to 5/8 Ball Valves with Schrader

NBVINL: Compatible with 3/4 to 1-1/8 ball valves with Schrader

NBVINMS: Compatible with all of NBV-MS and NBV-MSFFS series