



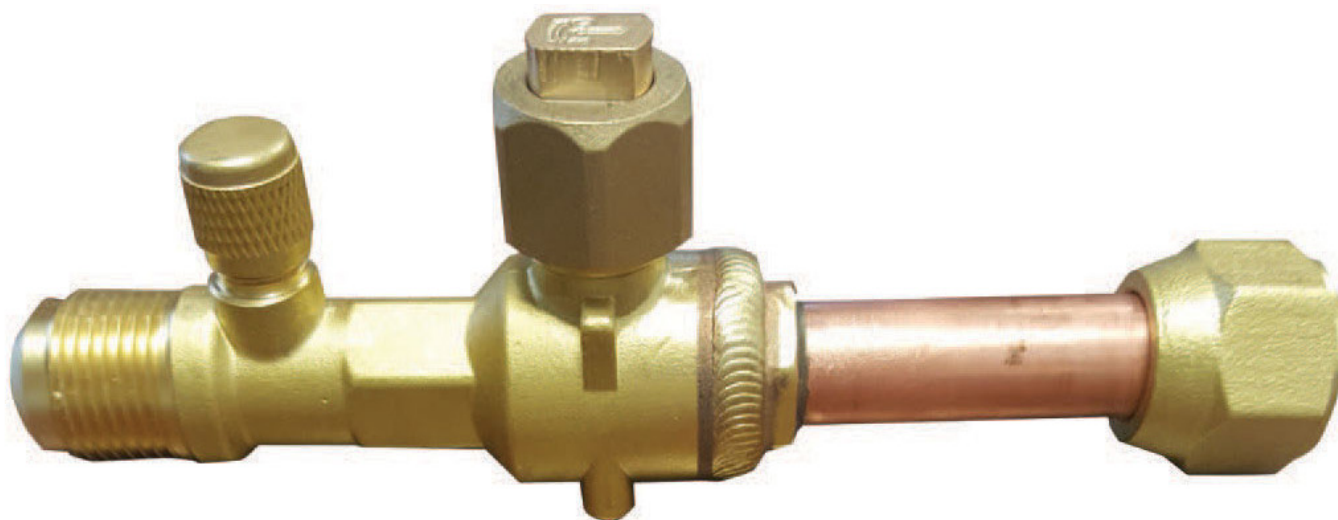
NDL Industries

## APPLICATIONS

Refrigeration, Commercial HVAC-R, VRV, VRF, Multi-mini Split, and Sub-critical Applications.

# NBV-MS Mini Split Ball Valves

NDL ball valves perform unlike any other in its class for leak prevention, reliability, and superior field performance.



## NBV-MS Specifications

### Quality Tested

Tested with 95% nitrogen and 5% hydrogen solution at 450 PSIG to detect and correct any leaks before leaving the factory.

### Teflon Seals and Seats

Reduce service calls, refrigerant loss, and environmental contamination with our cone-shaped 100% virgin Teflon seals and seats that will not shrink or leak, eliminating seal replacement during changeovers.

### Bottom-Up Stem Installation

Our stem placement is engineered from the bottom up. If there is an accidental over-pressurization in the valve, it will not blow the stem out and lose the charge. Plus, using the virgin Teflon seals ensures no need for seal replacement.

### Two-Piece Cap Nut

No need to remove the cap during installation or service. Loosen the nut, turn 1/4 of the stem cap, and open the valve fully; close by turning 1/4 again. Tighten the nut, and the job is complete.

### Oven-brazed Construction

Joined together with a smooth and equal brazing process to prevent pinhole leaks.

### Unparalleled Two-year Warranty

Our warranty proves confidence, along with proudly stamping every valve with a serial number and cleanly packaging in a poly-bag to prevent contamination and malfunctions.

### Heavy-duty Full Port Valves

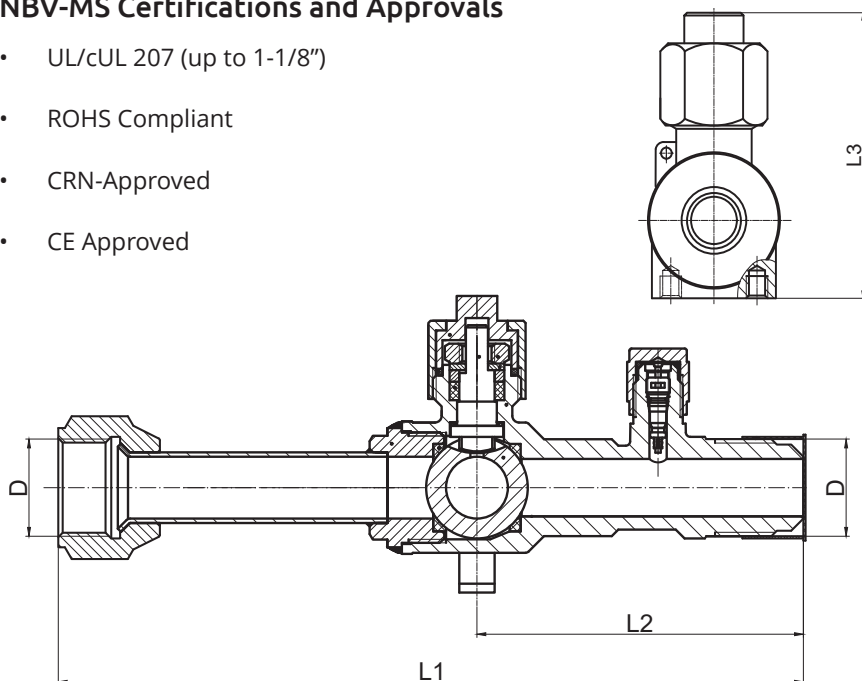
Built to last with 900 PSIG working pressure on sizes up to 7/8".



# NBV-MS Mini Split Ball Valves

## NBV-MS Certifications and Approvals

- UL/cUL 207 (up to 1-1/8")
- ROHS Compliant
- CRN-Approved
- CE Approved



## NBV-IN Insulation

EPDM-based, closed cell, light-weight elastomeric thermal insulation for temperatures up to 150°C (302°F).

- Tough skin for easy installation
- Self-extinguished and does not melt when burned
- Indoor and outdoor use
- NBV-IN-S: compatible with 1/4" to 5/8" ball valves with Schrader
- NBV-IN-M: compatible with 3/4" to 7/8" ball valves with Schrader

## NBV-MS Dimensions

MODEL	SIZE	MAX. WORKING PRESSURE		D	L1		L2		L3		WEIGHT	
		PSI	BAR		MM	IN	MM	IN	MM	IN	LB	G
NBV14MS	1/4"	900	62	7/16-20UNF	157.00	6.18	66.00	2.60	51.30	2.02	0.525	238
NBV38MS	3/8"	900	62	5/8-18UNF	160.00	6.30	67.80	2.67	51.30	2.02	0.600	270
NBV12MS	1/2"	900	62	3/4-16UNF	165.00	6.50	67.80	2.67	51.30	2.02	0.727	330
NBV58MS	5/8"	900	62	7/8-14UNF	168.70	6.64	73.90	2.91	58.40	2.30	0.970	440