



# NBV-MS Mini Split Ball Valves

## TECHNICAL SPECIFICATIONS SUBMITTAL FORM

Job Name:	Submittal Date:	Wholesaler:
Job Location:	Engineer/Architect:	Contractor:

### Product Use:

Full port ball valve with a Schrader service port for use in refrigeration, commercial HVAC, VRV, VRF, multi-mini split, and sub-critical applications.

### Design and Features:

- Male Side Schrader (NBV-MS)
- Full port valves with 900 PSIG working pressure on sizes up to 5/8"
- Compatible with HCFC, HFC, HC, and HFO refrigerants and oils
- Twice sealing on the valve stem using PTFE seal technology
- Rupture-proof encapsulated stem and bi-directional flow
- Two-piece stem cap
- One piece brass oven-brazed body
- 100% leak tested
- Stamped with serial number and packaged in poly-bag
- Two-year warranty

### Operating Specifications:

- Temperature: -40° to 302°F (-40°C to 150°C)
- Burst Pressure: 5 times the working pressure
- Leak Rate: <0.02g/year
- Life Expectancy: >50,000 cycles

### Certifications and Approvals:

- UL/cUL 207
- CRN recognized
- RoHS compliant



### NBV-MS Pressure Ratings and Weight

PART #	DESCRIPTION	MAX PRESSURE		WEIGHT	
		PSI	BAR	LB	KG
NBV14MS	1/4" Mini-Split Ball Valve, Male Side Schrader	900	62	0.525	0.238
NBV38MS	3/8" Mini-Split Ball Valve, Male Side Schrader	900	62	0.600	0.270
NBV12MS	1/2" Mini-Split Ball Valve, Male Side Schrader	900	62	0.727	0.330
NBV58MS	5/8" Mini-Split Ball Valve, Male Side Schrader	900	62	0.970	0.440

### NBV-MS Materials

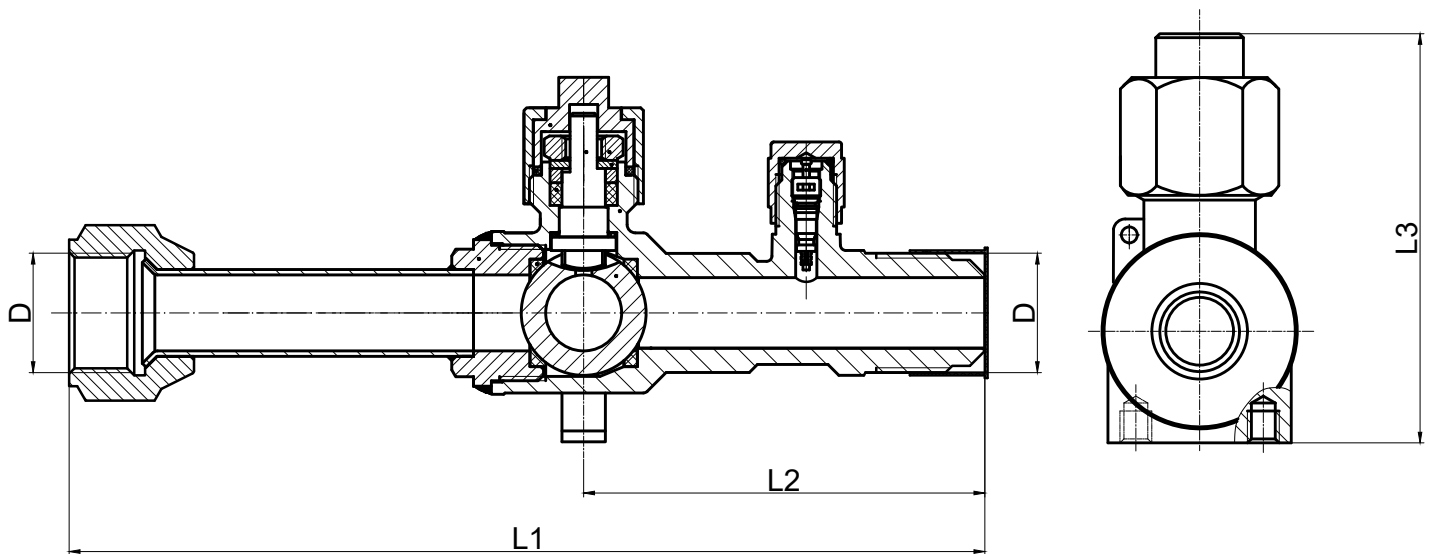
PART	MATERIAL
STUBOUTS	Copper
SEALS & SEATS	Teflon (PTFE)
CAP	Brass
STEM	Stainless Steel
LOCK NUT	Brass, Stainless Steel
BODY	Brass
SCHRADER CAP	Brass
BALL	Stainless Steel



# NBV-MS Mini Split Ball Valves

## NBV-MS Dimensions

MODEL	SIZE	MAX WORKING PRESSURE		D	L1		L2		L3		WEIGHT	
		PSI	BAR		MM	IN	MM	IN	MM	IN	LB	KG
NBV14MS	1/4"	900	62	7/16-20UNF	157.00	6.18	66.00	2.60	51.30	2.02	0.525	0.238
NBV38MS	3/8"	900	62	5/8-18UNF	160.00	6.30	67.80	2.67	51.30	2.02	0.600	0.270
NBV12MS	1/2"	900	62	3/4-16UNF	165.00	6.50	67.80	2.67	51.30	2.02	0.727	0.330
NBV58MS	5/8"	900	62	7/8-14UNF	168.70	6.64	73.90	2.91	58.40	2.30	0.970	0.440



## Part Selection

NBV14MS	1/4" Mini-Split Ball Valve, Male Side Schrader
NBV38MS	3/8" Mini-Split Ball Valve, Male Side Schrader
NBV12MS	1/2" Mini-Split Ball Valve, Male Side Schrader
NBV58MS	5/8" Mini-Split Ball Valve, Male Side Schrader

The information contained herein is not intended to replace the full product installation and safety information available or the experience of a trained product installer. You are required to thoroughly read all installation instructions and product safety information before beginning the installation of a product.

All installations must completely comply with all NDL Industries warnings and instructions, national state and local codes and all applicable ANSI standards.

NDL Industries product specifications in U.S. customary units and metric are approximate and are provided for reference only. For precise measurements, please contact Customer.

Service. NDL Industries reserves the right to change or modify product design, construction, specifications, or materials without prior notice and without incurring any obligation to make such changes and modifications on NDL products previously or subsequently sold.



Explore our full line of high-quality HVAC-R and plumbing products.

ndlinc.com | 1-866-635-6888 | sales@ndlinc.com

@ndlindustries

