



NDL Industries

APPLICATIONS

Refrigeration, Commercial HVAC-R, VRV, VRF, Multi-mini Split, and Sub-critical Applications.

NBV-MSFFS Mini Split Reverse Ball Valves

NDL ball valves perform unlike any other in its class for leak prevention, reliability, and superior field performance.



NBV-MSFFS Specifications

Quality Tested

Tested with 95% nitrogen and 5% hydrogen solution at 450 PSIG to detect and correct any leaks before leaving the factory.

Teflon Seals and Seats

Reduce service calls, refrigerant loss, and environmental contamination with our cone-shaped 100% virgin Teflon seals and seats that will not shrink or leak, eliminating seal replacement during changeovers.

Bottom-Up Stem Installation

Our stem placement is engineered from the bottom up. If there is an accidental over-pressurization in the valve, it will not blow the stem out and lose the charge. Plus, using the virgin Teflon seals ensures no need for seal replacement.

Two-Piece Cap Nut

No need to remove the cap during installation or service. Loosen the nut, turn 1/4 of the stem cap, and open the valve fully; close by turning 1/4 again. Tighten the nut, and the job is complete.

Oven-brazed Construction

Joined together with a smooth and equal brazing process to prevent pinhole leaks.

Unparalleled Two-year Warranty

Our warranty proves confidence, along with proudly stamping every valve with a serial number and cleanly packaging in a poly-bag to prevent contamination and malfunctions.

Heavy-duty Full Port Valves

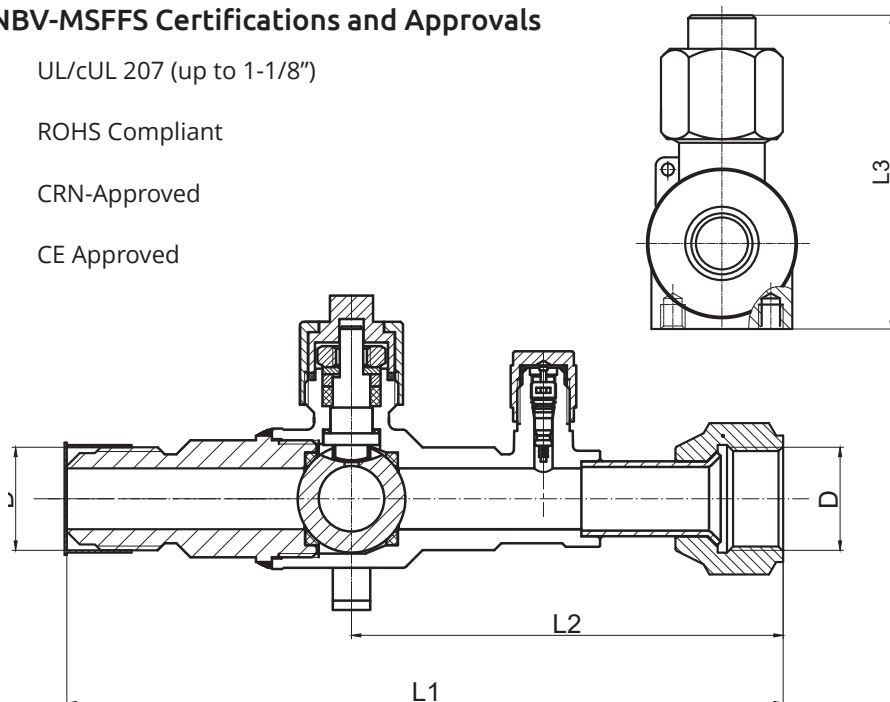
Built to last with 900 PSIG working pressure on sizes up to 7/8".



NBV-MSFFS Mini Split Reverse Ball Valves

NBV-MSFFS Certifications and Approvals

- UL/cUL 207 (up to 1-1/8")
- ROHS Compliant
- CRN-Approved
- CE Approved



NBV-IN Insulation

EPDM-based, closed cell, light-weight elastomeric thermal insulation for temperatures up to 150°C (302°F).

- Tough skin for easy installation
- Self-extinguished and does not melt when burned
- Indoor and outdoor use
- NBV-IN-S: compatible with 1/4" to 5/8" ball valves with Schrader
- NBV-IN-M: compatible with 3/4" to 7/8" ball valves with Schrader

NBV-MSFFS Dimensions

MODEL	SIZE	MAX. WORKING PRESSURE		D	L1		L2		L3		WEIGHT	
		PSI	BAR		MM	IN	MM	IN	MM	IN	LB	G
NBV14MSFFS	1/4"	900	62	7/16-20UNF	125.00	4.92	80.00	3.15	51.30	2.02	0.507	230
NBV38MSFFS	3/8"	900	62	5/8-18UNF	122.00	4.80	71.00	2.80	51.30	2.02	0.595	270
NBV12MSFFS	1/2"	900	62	3/4-16UNF	153.00	6.02	102.00	4.02	51.30	2.02	0.628	285
NBV58MSFFS	5/8"	900	62	7/8-14UNF	153.00	6.02	92.20	3.63	58.40	2.30	0.948	430