



NBV-S Full Port Ball Valves with Schrader

TECHNICAL SPECIFICATIONS SUBMITTAL FORM

Job Name:	Submittal Date:	Wholesaler:
Job Location:	Engineer/Architect:	Contractor:

Product Use:

Full port ball valve with a Schrader service port for use in refrigeration, commercial HVAC, VRV, VRF, multi-mini split, and sub-critical applications.

Design and Features:

- Full port valves with 900 PSIG working pressure on sizes up to 7/8"
- Compatible with HCFC, HFC, HC, and HFO refrigerants and oils
- Twice sealing on the valve stem using PTFE seal technology
- Rupture-proof encapsulated stem and bi-directional flow
- Two-piece stem cap
- One piece brass oven-brazed body
- 100% leak tested
- Stamped with serial number and packaged in poly-bag
- Two-year warranty

Operating Specifications:

- Temperature: -40° to 302°F (-40°C to 150°C)
- Burst Pressure: 5 times the working pressure
- Leak Rate: <0.02g/year
- Life Expectancy: >50,000 cycles

Certifications and Approvals:

- UL/cUL 207
- CRN recognized
- CE approved
- RoHS compliant

NBV-S Pressure Ratings and Weight

PART #	DESCRIPTION	MAX PRESSURE		WEIGHT	
		PSI	BAR	LB	KG
NBV02S	1/4" Full Port Ball Valve w/ Schrader	900	62	0.463	0.210
NBV03S	3/8" Full Port Ball Valve w/ Schrader	900	62	0.481	0.218
NBV04S	1/2" Full Port Ball Valve w/ Schrader	900	62	0.481	0.218
NBV05S	5/8" Full Port Ball Valve w/ Schrader	900	62	0.661	0.300
NBV06S	3/4" Full Port Ball Valve w/ Schrader	900	62	1.113	0.505
NBV07S	7/8" Full Port Ball Valve w/ Schrader	900	63	1.202	0.545
NBV09S	1-1/8" Full Port Ball Valve w/ Schrader	700	48	1.940	0.880
NBV11S	1-3/8" Full Port Ball Valve w/ Schrader	700	48	3.109	1.410
NBV13S	1-5/8" Full Port Ball Valve w/ Schrader	700	48	5.093	2.310
NBV17S	2-1/8" Full Port Ball Valve w/ Schrader	700	48	8.730	3.960
NBV21S	2-5/8" Full Port Ball Valve w/ Schrader	650	45	14.330	6.500
NBV25S	3-1/8" Full Port Ball Valve w/ Schrader	650	45	20.977	9.515
NBV33S	4-1/8" Full Port Ball Valve w/ Schrader	450	31	36.597	16.600



NBV-S Materials

PART	MATERIAL
STUBOUTS	Copper
SEALS & SEATS	Teflon (PTFE)
CAP	Brass
STEM	Stainless Steel
LOCK NUT	Brass, Stainless Steel
BODY	Brass
SCHRADER CAP	Brass
BALL	Stainless Steel



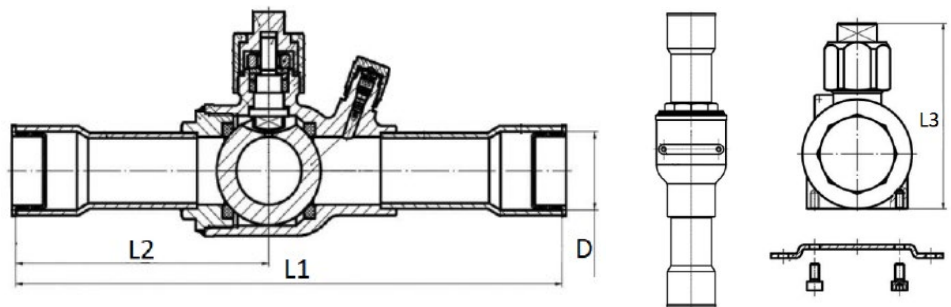
NBV-S Full Port Ball Valves with Schrader

NBV-S Dimensions

MODEL	SIZE	MAX WORKING PRESSURE		D		L1		L2		L3		WEIGHT	
		PSI	BAR	MM	IN	MM	IN	MM	IN	MM	IN	LB	KG
NBV02S	1/4"	900	62	0.25	6.40	4.96	126.00	2.09	53.00	2.02	51.30	0.463	0.210
NBV03S	3/8"	900	62	0.38	9.58	4.96	126.00	2.09	53.00	2.02	51.30	0.481	0.218
NBV04S	1/2"	900	62	0.50	12.75	5.02	127.50	2.13	54.00	2.02	51.30	0.481	0.218
NBV05S	5/8"	900	62	0.63	15.93	5.91	150.00	2.57	65.30	2.30	58.40	0.661	0.300
NBV06S	3/4"	900	62	0.75	19.10	6.46	164.00	2.91	74.00	2.60	66.00	1.113	0.505
NBV07S	7/8"	900	62	0.88	22.28	7.46	189.50	3.39	86.00	2.60	66.00	1.202	0.545
NBV09S	1-1/8"	700	48	1.13	28.65	8.23	209.00	3.82	97.00	3.27	83.00	1.940	0.880
NBV11S	1-3/8"	700	48	1.38	35.00	9.00	228.60	4.29	109.00	3.88	98.50	3.109	1.410
NBV13S	1-5/8"	700	48	1.63	41.35	9.50	241.30	4.53	115.00	4.43	112.50	5.093	2.310
NBV17S	2-1/8"	700	48	2.13	54.05	10.50	266.70	5.16	131.00	5.18	131.60	8.730	3.960
NBV21S	2-5/8"	650	45	2.63	66.75	14.96	380.00	7.24	184.00	6.02	153.00	14.330	6.500
NBV25S	3-1/8"	650	45	3.13	79.45	16.14	410.00	7.80	198.00	6.83	173.40	20.977	9.515
NBV33S	4-1/8"	450	31	4.13	104.85	17.72	450.00	8.70	221.00	8.18	207.80	36.597	16.600

Part Selection

	NBV02S	1/4" Full Port Ball Valve
	NBV03S	3/8" Full Port Ball Valve
	NBV04S	1/2" Full Port Ball Valve
	NBV05S	5/8" Full Port Ball Valve
	NBV06S	3/4" Full Port Ball Valve
	NBV07S	7/8" Full Port Ball Valve
	NBV09S	1-1/8" Full Port Ball Valve
	NBV11S	1-3/8" Full Port Ball Valve
	NBV13S	1-5/8" Full Port Ball Valve
■	NBV17S	2-1/8" Full Port Ball Valve
	NBV21S	2-5/8" Full Port Ball Valve
	NBV25S	3-1/8" Full Port Ball Valve
	NBV33S	4-1/8" Full Port Ball Valve



The information contained herein is not intended to replace the full product installation and safety information available or the experience of a trained product installer. You are required to thoroughly read all installation instructions and product safety information before beginning the installation of a product.

All installations must completely comply with all NDL Industries warnings and instructions, national state and local codes and all applicable ANSI standards.

NDL Industries product specifications in U.S. customary units and metric are approximate and are provided for reference only. For precise measurements, please contact Customer

Service. NDL Industries reserves the right to change or modify product design, construction, specifications, or materials without prior notice and without incurring any obligation to make such changes and modifications on NDL products previously or subsequently sold.



Explore our full line of high-quality HVAC-R and plumbing products.

ndlinc.com | 1-866-635-6888 | sales@ndlinc.com

@ndlindustries

