

NDL Industries Filter Driers

Solid Core BiFlow



Solid Core BiFlow

NCHBF is a solid core block style filter drier designed for use on liquid line in reversible refrigeration Heat Pump applications.

- Premium filter drier uniquely designed for complete protection of air conditioning or refrigeration systems.
- Provides complete protection of the system.
 - Capture solid contaminations with glass wool
 - Adsorb moisture with XH 11 dessicant, which will not interfere with the R32 component of your blended refrigerant.
 - Remove acid with activated alumin.
- Available with sweat, flare, or press-fit ends and sight glass option.
- Uses molecular sieve to adsorb moisture and activated alumin to adsorb acid (80:20 ratio in core types)
- Optimizes glass wool and polyester fabric to trap small particles and chards of copper.
- Compatible with HCFC, HFC, HC, CFC refrigerants, and oils



The First and Only Filter Drier in the Industry Using Spectroline Tracer Wafer System

Reduces service time with the wafer because the refrigeration leak quickly, eliminating long, tedious search techniques to find costly refrigeration leaks.

No mess associated with the dryer - no liquid to carry, no injecting dye into the system. Clean hands, work space and unit.

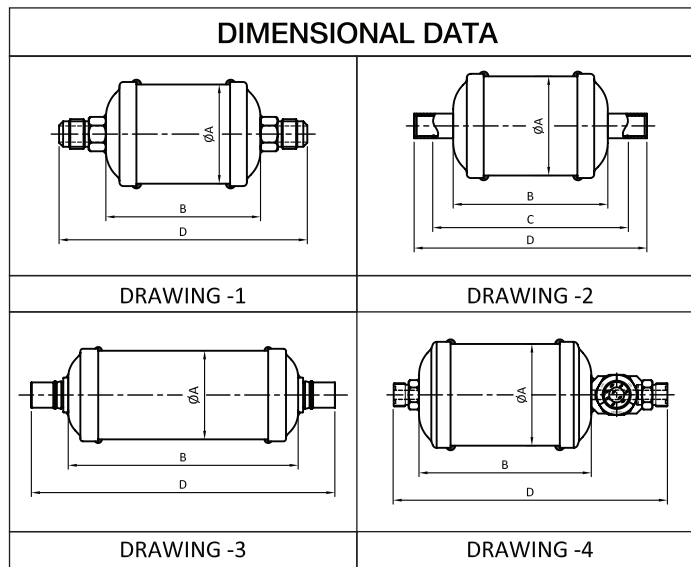
TW Filter Drier is approved by ALL major compressor manufacturers and equipment manufacturers.

Compatible with all refrigerants and components used in HVAC-R. Meets ASHRAE 97 Standards for Chemical Stability.

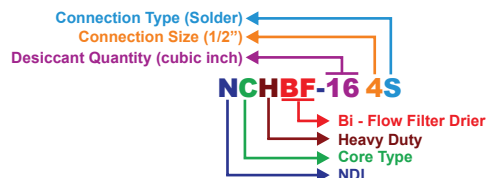


866.635.6888 | sales@ndlinc.com | ndlinc.com

Solid Core BiFlow



SR NO.	MODEL	OUTER DIA ØA		BODY LENGTH B		STOPPER TO STOPPER LENGTH C		OVERALL LENGTH D		CONNECTION TYPE (inch)	REFER DRAWING NO.		
		mm	Inch	mm	Inch	mm	Inch	mm	Inch				
1	NCHBF-052F	Ø 63.5	Ø 2.5	76	2.99	--	--	122	4.80	1/4" SAE	DRAWING - 1		
2	NCHBF-052S					106	4.17	126	4.96	1/4" ODF	DRAWING - 2		
3	NCHBF-053F					--	--	130	5.12	3/8" SAE	DRAWING - 1		
4	NCHBF-053S					102.3	4.03	126	4.96	3/8" ODF	DRAWING - 2		
5	NCHBF-082F			97	3.82	--	--	143	5.63	1/4" SAE	DRAWING - 1		
6	NCHBF-082S					127	5.00	147	5.79	1/4" ODF	DRAWING - 2		
7	NCHBF-083F					--	--	151	5.94	3/8" SAE	DRAWING - 1		
8	NCHBF-083S					123.3	4.85	147	5.79	3/8" ODF	DRAWING - 2		
9	NCHBFSG-083 ORN					--	--	180	7.09	3/8" 'O' RING	DRAWING - 4		
10	NCHBF-084F			Ø 76.2	Ø 3	117	4.61	--	--	157	6.18	1/2" SAE	DRAWING - 1
11	NCHBF-084S							123.3	4.85	147	5.79	1/2" ODF	DRAWING - 2
12	NCHBF-163F	--	--					171	6.73	3/8" SAE	DRAWING - 1		
13	NCHBF-163S	143.3	5.64					167	6.57	3/8" ODF	DRAWING - 2		
14	NCHBF-164F	--	--					177	6.97	1/2" SAE	DRAWING - 1		
15	NCHBF-164S	143.3	5.64					167	6.57	1/2" ODF	DRAWING - 2		
16	NCHBF-165F	--	--			185	7.28	5/8" SAE	DRAWING - 1				
17	NCHBF-165S	143.3	5.64			167	6.57	5/8" ODF	DRAWING - 2				
18	NCHBF-303F	191	7.52			--	--	245	9.65	3/8" SAE	DRAWING - 1		
19	NCHBF-303S					217.3	8.56	241	9.49	3/8" ODF	DRAWING - 2		
20	NCHBF-304F			--	--	251	9.88	1/2" SAE	DRAWING - 1				
21	NCHBF-304S			217.3	8.56	241	9.49	1/2" ODF	DRAWING - 2				
22	NCHBF-305F			--	--	259	10.20	5/8" SAE	DRAWING - 1				
23	NCHBF-305S			217.3	8.56	241	9.49	5/8" ODF	DRAWING - 2				
24	NCHBF-306F			--	--	265	10.43	3/4" SAE	DRAWING - 1				
25	NCHBF-306S			217.3	8.56	241	9.49	3/4" ODF	DRAWING - 2				
26	NCHBF-307S*			221	8.70	265	10.43	7/8" ODF	DRAWING - 3				
27	NCHBF-309S*	221	8.70	275	10.83	1 1/8" ODF	DRAWING - 3						



- INTERNAL ASSEMBLY - CORE TYPE
- MAXIMUM WORKING PRESSURE - 45 bar (653 psig)
- SAE, ORFS & 'O' RING TYPE CONNECTION ARE IN STEEL, NICKEL PLATED
- ODF TYPE CONNECTION IS IN COPPER
- * MARK CONNECTION STEEL, PLATED

Solid Core BiFlow

NCHBF
SERIES
CORE TYPE

SR. NO.	Description	Connections Inlet/outlet	Flow Capacity ² Ton @ 1psi ΔP (for kW, multiply Ton by 3.5)				Water Capacity ¹ drops of water											
			R-134a	R-22	R-407C & R-410A	R-404 & R-507	R-134a		R-22		R-407C		R-410A		R-404A & R-507			
							75°F	125°F	75°F	125°F	75°F	125°F	75°F	125°F	75°F	125°F		
1	052F	1/4 SAE	1.92	2.2	2.2	1.4	78	73	73	66	58	42	39	35	80	76		
2	052S	1/4 ODF																
3	053F	3/8 SAE																
4	053S	3/8 ODF	3.8	4	3.9	2.95	168	155	159	144	106	79	85	75	174	165		
5	082F	1/4 SAE																
6	082S	1/4 ODF																
7	083F	3/8 SAE	4.6	5.1	5	3.4	439	415	323	294	237	179	178	160	602	326		
8	083S	3/8 ODF																
9	083ORN	3/8" ORN																
10	084F	1/2 SAE	5.73	6.7	6.6	4.41	624	577	585	532	452	345	415	293	645	609		
11	084S	1/2 ODF																
12	163F	3/8 SAE																
13	163S	3/8 ODF	7.43	8.1	7.9	5.41	14.59	16	15.7	10.58	15.22	16.7	16.4	11.05	16.41	18	17.5	11.91
14	164F	1/2 SAE																
15	164S	1/2 ODF																
16	165F	5/8 SAE	7.33	8.7	8.5	5.64	624	577	585	532	452	345	415	293	645	609		
17	165S	5/8 ODF																
18	303F	3/8 SAE																
19	303S	3/8 ODF	5.29	5.8	5.7	3.77	624	577	585	532	452	345	415	293	645	609		
20	304F	1/2 SAE																
21	304S	1/2 ODF																
22	305F	5/8 SAE	12.9	14.2	13.9	9.4	14.59	16	15.7	10.58	15.22	16.7	16.4	11.05	16.41	18	17.5	11.91
23	305S	5/8 ODF																
24	306F	3/4 SAE																
25	306S	3/4 ODF	14.59	16	15.7	10.58	15.22	16.7	16.4	11.05	16.41	18	17.5	11.91	16.41	18	17.5	11.91
26	307S	7/8 ODF																
27	309S	1 1/8 ODF																

All ratings are in accordance with ANSI/AHRI Standard 710-2009

1. Water in refrigerant at EPD for :

R-134a/R-407C/R-410A/R-404A/R-507A is 50 ppm,

R-22 is 60 ppm.

2. Flow Capacities are based on following standard rating conditions

Flow Rate per Ton of Refrigeration at 86°F Liquid & 5.0°F Saturated Vapor for :

R-134a is 3.1 lb/min/ton,

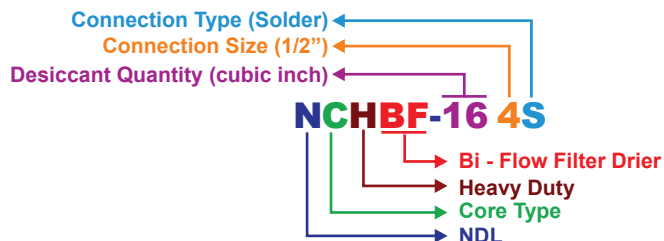
R-407C is 3.0 lb/min/ton,

R-410A is 2.8 lb/min/ton,

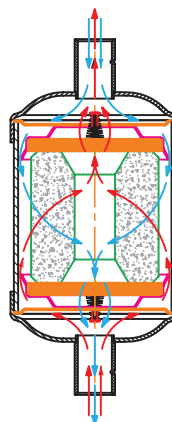
R-404A is 4.1 lb/min/ton,

R-507A is 4.2 lb/min/ton,

R-22 is 3.0 lb/min/ton.



INTERNAL WORKING OF BI-FLOW FILTER DRIER





866.635.6888 | sales@ndlinc.com | ndlinc.com



NDL-NCHBF-2.2021A